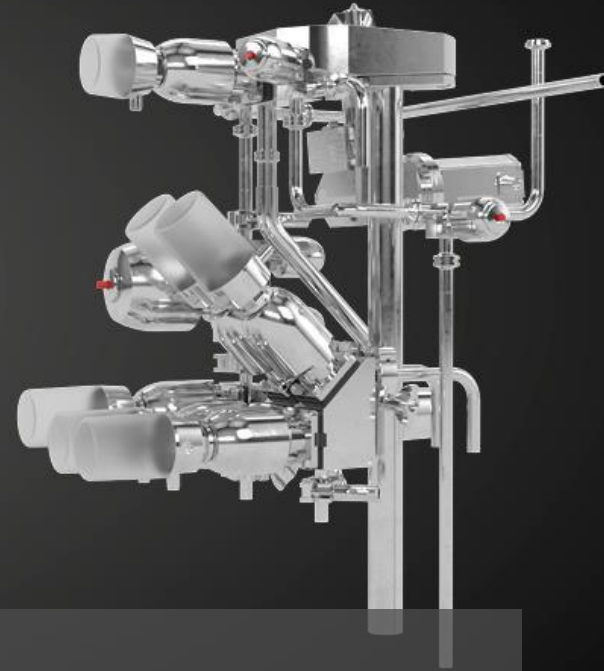
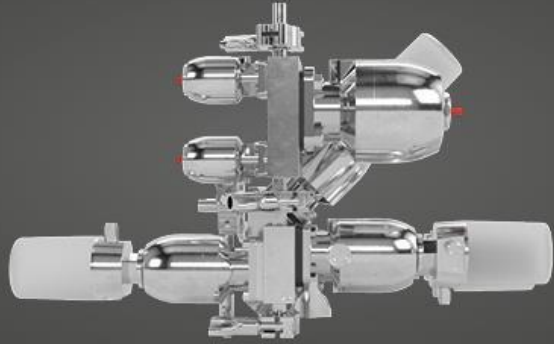


GEMÜ



GEMÜ Systems

Customized system solutions

GEMÜ Systems

System solutions from a single source

Subassemblies, small systems and partial sections

Individual connection solutions

Sample and low-volume production

Process optimization and special solutions

Test rigs and prototype construction



As a specialist in valve design, we also offer you individual system solutions. From the idea stage to development and right through to manufacture – the entire process is taken care of under one roof.

GEMÜ Systems

Range of services



GEMÜ Systems supports you with your individual requirements.

Level 1

Simple component assembly

Level 2

Component assembly with control unit

Level 3

Control systems and system development

GEMÜ Systems

Leading through experience

Simplified procurement process

Reduced number of interfaces

Time and cost savings

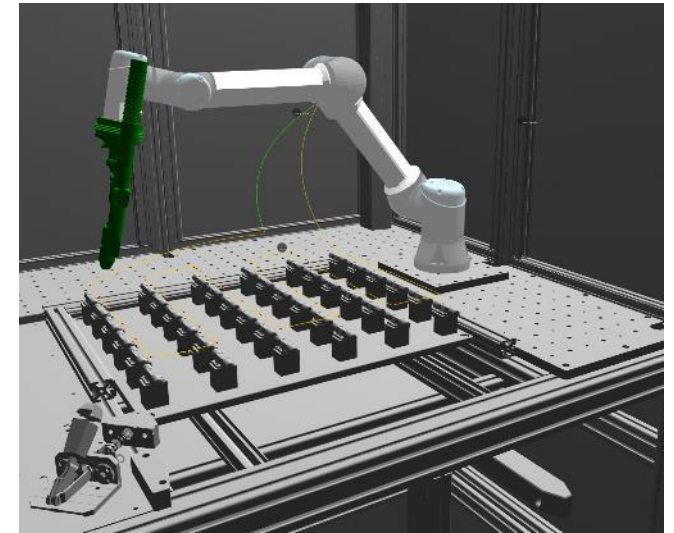
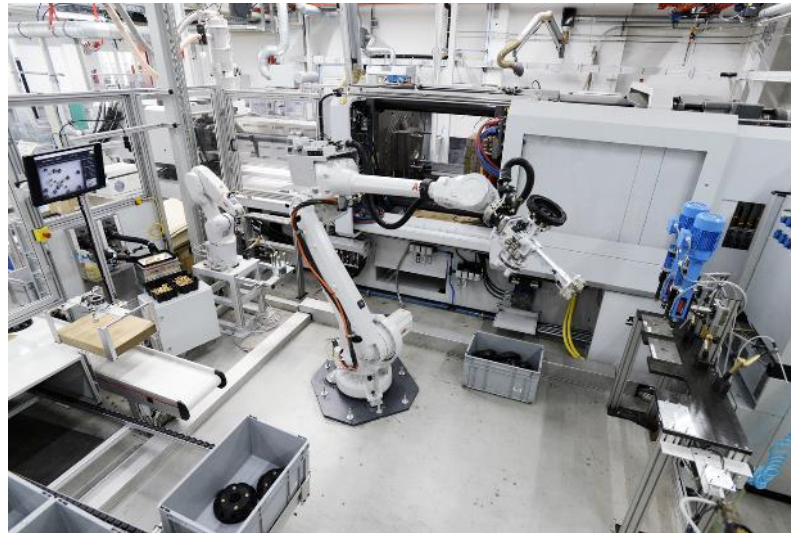
Outsourcing of order peaks



Thanks to our many years of experience in valves, measurement and control systems technology, we have specialist skills and technical expertise in various scopes of application.

GEMÜ Systems

Latest technologies



Using the latest technologies and manufacturing processes, we can update our knowledge as a component manufacturer and carry this through to our system creation.

With the latest construction tools, we are ideally prepared and can help you take the next step towards your future.

GEMÜ Systems

Professional project processing



Planning and conceptual design according to customer request



Simulation and prototype development



System construction with pre-series



System and process qualification



Project completion

GEMÜ Systems

Examples of system solutions



GEMÜ Systems

Easy contact

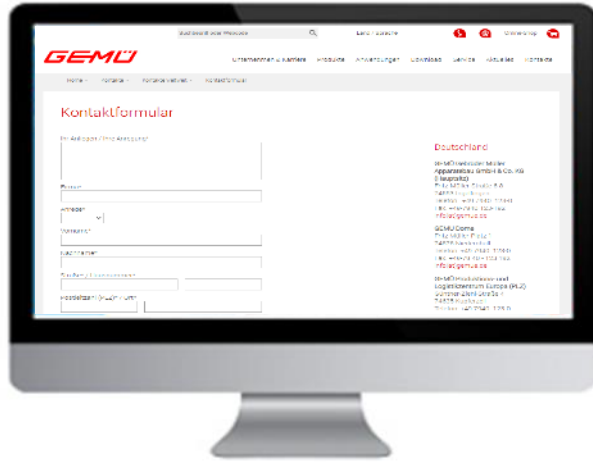


Your GEMÜ consultant is available for you at all times

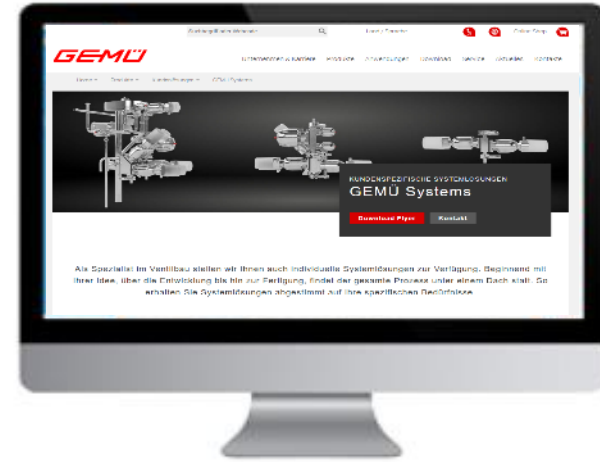
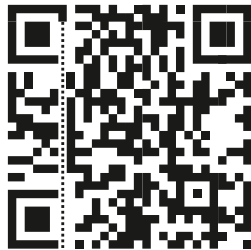
By precisely analysing the framework conditions, we are able to take into account your requirements during project processing.

With our specification sheet and your drawings, we determine your requirements together and develop individual solutions for you.

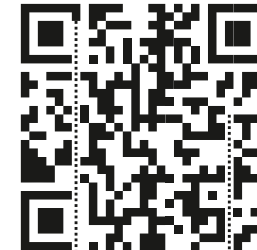
You can discuss your project with your personal GEMÜ consultant. Alternatively, you are welcome to use our contact form for your system inquiry.



Go directly to our contact form



Further information on our website



GEMÜ



We are looking forward to your projects!

GEMÜ Gebrüder Müller Apparatebau GmbH & Co. KG
Fritz-Müller-Straße 6 – 8
74653 Ingelfingen
Germany
Phone: +49 (0) 7940 1230
Fax: +49 (0) 7940 123 192
info@gemue.de

www.gemu-group.com