

GEMÜ 125x

Limit switches



Features

- ATEX version available as an option
- Simple mounting by clamping to flowmeter
- Function independent of operating pressure, conductivity, concentration or density of the medium

Description

Limit switches with bistable reed contact (change-over contact or make contact) can be combined with GEMÜ flowmeters with magnetic float. They can be easily mounted and adjusted by clamping them onto the flowmeter. The electrical connection is via a cable gland. An ATEX version is available on request.

Technical specifications

- Electrical connection type: Plug, design B
- Protection class: IP 65
- Switch type: Change-over contact | Make contact, maximum contact | Make contact, minimum contact
- Supply voltage: max. 175, max. 250 V DC or peak AC

Product description



Item	Name	Materials
1	Housing	PBTP
2	Plug	PA6

Product line

	GEMÜ 1250	GEMÜ 1251	GEMÜ 1252	GEMÜ 1256	GEMÜ 1257
Switch type	Change-over contact	Make contact, maximum contact	Make contact, minimum contact	Make contact, maximum contact	Make contact, minimum contact
Voltage (DC or peak AC)	max. 175 V	max. 250 V	max. 250 V	max. 250 V	max. 250 V

Availability

Flowmeter	GEMÜ 1250	GEMÜ 1251	GEMÜ 1252	GEMÜ 1256	GEMÜ 1257
Type	For nominal sizes				
811	20-65	20-65	20-65	-	-
815	20-65	20-65	20-65	-	-
816	20-65	20-65	20-65	-	-
817	20-65	20-65	20-65	-	-
830	20-65	20-65	20-65	-	-
831	20-65	20-65	20-65	-	-
832	20-65	20-65	20-65	-	-
833	20-65	20-65	20-65	-	-
835	20-65	20-65	20-65	-	-
841	-	-	-	10-20	10-20
846	-	-	-	10-20	10-20
861	25	25	25	10-20	10-20
865	25	25	25	10-20	10-20
867	25	25	25	10-20	10-20
880	25	25	25	10-20	10-20
883	25	25	25	10-20	10-20
885	25	25	25	10-20	10-20

Order data

The order data provide an overview of standard configurations.

Please check the availability before ordering. Other configurations available on request.

Order codes

1 Type	Code
Change-over contact limit switch for variable area flowmeter	1250
Maximum limit switch for variable area flowmeter	1251
Minimum limit switch for variable area flowmeter	1252
Maximum limit switch for variable area flowmeter	1256
Minimum limit switch for variable area flowmeter	1257

2 Fieldbus	Code
Without	000

3 Accessory	Code
Accessory	Z

4 Option	Code
Without	00

5 ATEX zone	Code
No ATEX evaluation	000
ATEX(2014/34/EU) zone1/21	AT1

Order example

Order option	Code	Description
1 Type	1250	Change-over contact limit switch for variable area flowmeter
2 Fieldbus	000	Without
3 Accessory	Z	Accessory
4 Option	00	Without
5 ATEX zone	AT1	ATEX(2014/34/EU) zone1/21

Technical data

Temperatures

Ambient temperature: -20 to 60 °C

Product compliance

Explosion protection: ATEX (2014/34/EU)
Simple electrical equipment

Mechanical data

Protection class: IP 65

Position of the float in relation to the contact:	Above contact closed	Below contact open
Maximum contact (GEMÜ 1251/1256)	closed	open
Minimum contact (GEMÜ 1252/1257)	open	closed

Electrical data

Switching voltage: GEMÜ 1250: max. 175 V (DC or peak AC)
GEMÜ 1251 – 1257: max. 250 V (DC or peak AC)

Switching current: GEMÜ 1250: 0.5 A (DC or peak AC)
GEMÜ 1251 – 1257: 1.0 A (DC or peak AC)

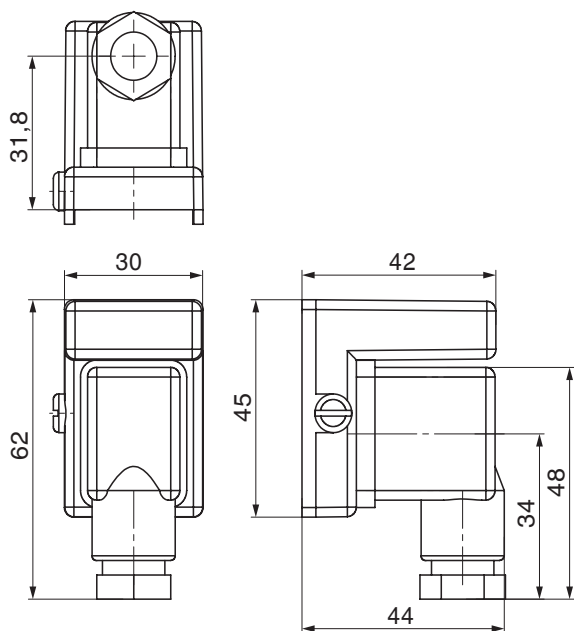
Switch rating: GEMÜ 1250: 10 W
GEMÜ 1251 – 1257: 100 W

Type of contact: Bistable reed contact

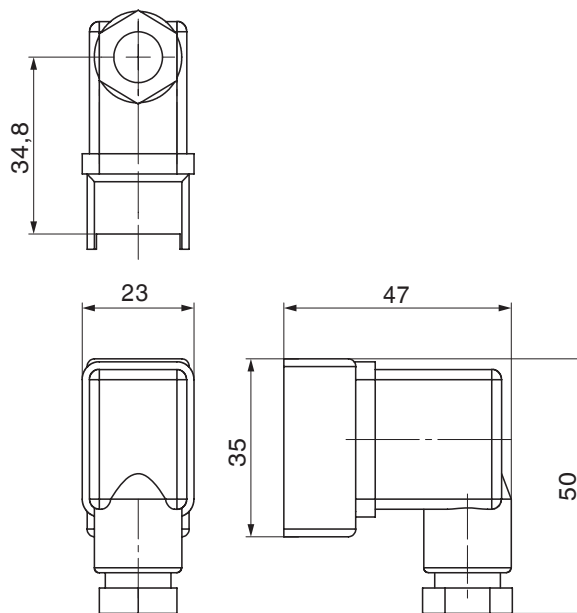
Electrical connection type: Plug, design B

Dimensions

GEMÜ 1250, 1251, 1252



GEMÜ 1256, 1257



Dimensions in mm

Electrical connection

GEMÜ 1250 electrical connection

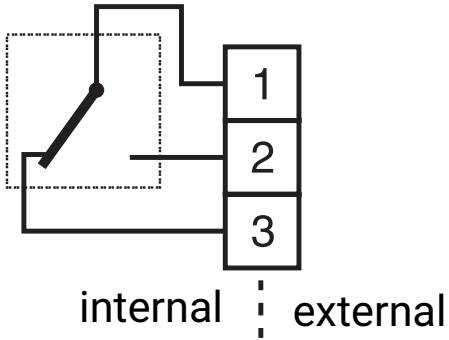


Fig. 1: GEMÜ 1250 electrical connection

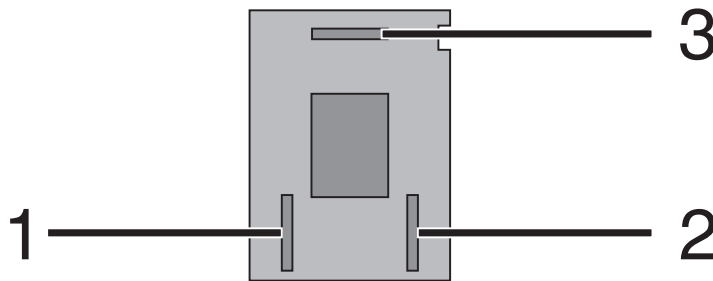


Fig. 2: Connection to the terminal block

Item	Connection
1	Uv-, Supply voltage (-) Us-, Signal voltage (-)
2	Uv+, Supply voltage (+)
3	Us+, Signal voltage (+)

GEMÜ 1251/1252 electrical connection

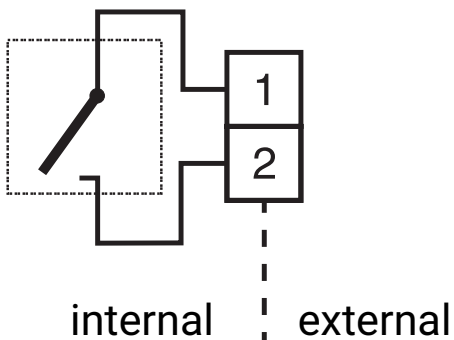


Fig. 3: GEMÜ 1251/1252 electrical connection

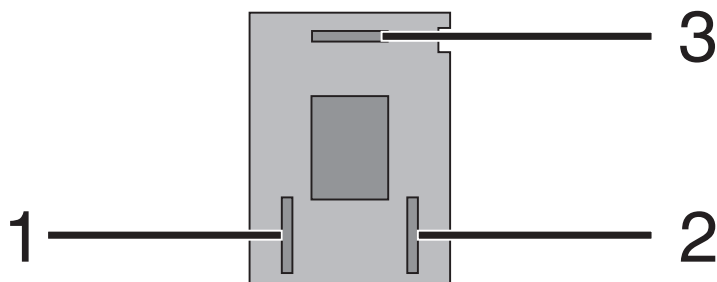
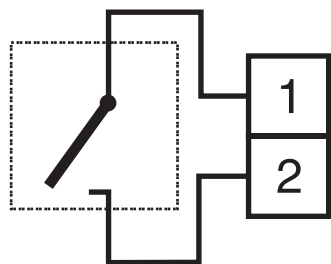


Fig. 4: Connection to the terminal block

Item	Connection
1	Uv-, Supply voltage (-) Us-, Signal voltage (-)
2	Uv+, Supply voltage (+)
3	Us+, Signal voltage (+)

GEMÜ 1256/1257 electrical connection



internal ; external

Fig. 5: GEMÜ 1256/1257 electrical connection

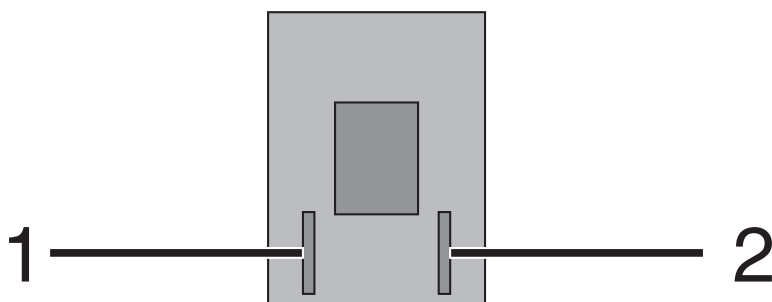


Fig. 6: Connection to the terminal block

Item	Connection
1	Uv-, Supply voltage (-) Us-, Signal voltage (-)
2	Uv+, Supply voltage (+)
3	Us+, Signal voltage (+)



GEMÜ Gebr. Müller Apparatebau GmbH & Co. KG
Fritz-Müller-Straße 6-8, 74653 Ingelfingen-Criesbach, Germany
Phone +49 (0)7940 123-0 · info@gemu.de
www.gemu-group.com