

GEMÜ 127x

Instrument sensor



Features

- Simple mounting by clamping to flowmeter
- Function independent of operating pressure, conductivity, concentration or density of the medium

Description

Instrument sensors are suitable for continuous flow monitoring of GEMÜ flowmeters with magnetic float. They can be easily mounted and adjusted by clamping them onto the flowmeter. The electrical connection is via a cable gland.

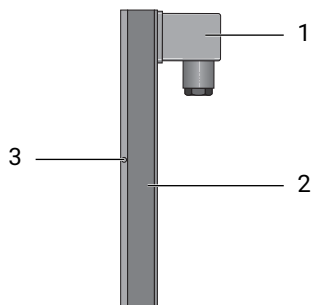
Technical specifications

- **Error of measurement:** ± 1 % of final value
- **Electrical connection type:** Plug, design B
- **Protection class:** IP 65

Technical data depends on the respective configuration

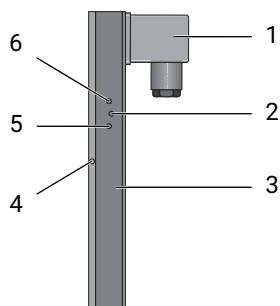
Product description

GEMÜ 1272/1273 construction



| Item | Name | Materials |
|------|-------------------|-----------|
| 1 | Plug | PA6 |
| 2 | Instrument sensor | ABS |
| 3 | Locking screw | - |

GEMÜ 1272/1273 construction



| Item | Name | Materials |
|------|-------------------|-----------|
| 1 | Plug | PA6 |
| 2 | LED display | - |
| 3 | Instrument sensor | ABS |
| 4 | Locking screw | - |
| 5 | "Min" key | - |
| 6 | "Max" key | - |

GEMÜ CONEXO

The interaction of valve components that are equipped with RFID chips and an associated IT infrastructure actively increase process reliability.



Thanks to serialization, every valve and every relevant valve component such as the body, actuator or diaphragm, and even automation components, can be clearly traced and read using the CONEXO pen RFID reader. The CONEXO app, which can be installed on mobile devices, not only facilitates and improves the "installation qualification" process, but also makes the maintenance process much more transparent and easier to document. The app actively guides the maintenance technician through the maintenance schedule and directly provides him with all the information assigned to the valve, such as test reports, testing documentation and maintenance histories. The CONEXO portal acts as a central element, helping to collect, manage and process all data.

For further information on GEMÜ CONEXO please visit:

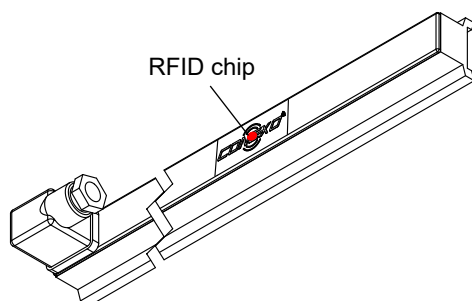
www.gemu-group.com/conexo

Ordering

GEMÜ Conexo must be ordered separately with the ordering option "CONEXO" (see order data).

In the corresponding design with CONEXO, this product has an RFID chip (1) for electronic recognition. The position of the RFID chip can be seen below.

Installing the RFID chip



Product line

| | GEMÜ 1270 | GEMÜ 1271 | GEMÜ 1272 | GEMÜ 1273 |
|--------------------------------|---|---|---|---|
| |  |  |  |  |
| Metering length [mm] | 230 | 118/147 | 210 | 118/125 |
| Number of switch points | 55/100 | 35/43 | 55/100 | 35/43 |
| Distance of reed contacts [mm] | 4.25/2.30 | 3.50/2.30 | 4.25/2.30 | 3.50 |
| 2-wire measuring transducer | No | No | Yes | Yes |
| Voltage divider | Yes | Yes | No | No |
| Status LED | No | No | Yes | Yes |

Availability

GEMÜ 1270, 1272

| Type | DN | Order code |
|-----------------------------|---------|------------|
| Flowmeter series 800 | | |
| 811 | 20 - 65 | 25 |
| 815 | 20 - 65 | 25 |
| 816 | 20 - 65 | 25 |
| 817 | 20 - 65 | 25 |
| 830 | 20 - 65 | 25 |
| 831 | 20 - 65 | 25 |
| 832 | 20 - 65 | 25 |
| 833 | 20 - 65 | 25 |
| 835 | 20 - 65 | 25 |

GEMÜ 1271, 1273

| Type | DN | Order code |
|-----------------------------|---------|------------|
| Flowmeter series 840 | | |
| 841 | 15 | 10 |
| 846 | 15 | 10 |
| Flowmeter series 850 | | |
| 861 | 10 - 20 | 10 |
| 865 | 10 - 20 | 10 |
| 867 | 10 - 20 | 10 |
| 880 | 10 - 20 | 10 |
| 883 | 10 - 20 | 10 |
| 885 | 10 - 20 | 10 |
| 861 | 25 | 25 |
| 865 | 25 | 25 |
| 867 | 25 | 25 |
| 880 | 25 | 25 |
| 883 | 25 | 25 |
| 885 | 25 | 25 |

Order data GEMÜ 1270, 1272

Order codes

| 1 Type | Code |
|---|------|
| Instrument sensor for variable area flowmeter | 1270 |
| Instrument sensor for variable area flowmeter | 1272 |

| 2 Fieldbus | Code |
|------------|------|
| Without | 000 |

| 3 Accessory | Code |
|-------------|------|
| Accessory | Z |

| 4 Series | Code |
|------------------------------|------|
| Series 800, DN 20 - DN 65 | 25 |

| 5 Resolution | Code |
|--------------|------|
| 55 contacts | 01 |
| 100 contacts | 03 |

| 6 CONEXO | Code |
|---|------|
| Without | |
| Integrated RFID chip for electronic identification and traceability | C |

Order example

| Ordering option | Code | Description |
|-----------------|------|---|
| 1 Type | 1270 | Instrument sensor for variable area flowmeter |
| 2 Fieldbus | 000 | Without |
| 3 Accessory | Z | Accessory |
| 4 Series | 25 | Series 800, DN 20 - DN 65 |
| 5 Resolution | 01 | 55 contacts |
| 6 CONEXO | | Without |

Order data GEMÜ 1271, 1273

The order data provide an overview of standard configurations.

Please check the availability before ordering. Other configurations available on request.

Order codes

| 1 Type | Code | 4 Continuation of Series | Code |
|--|------|--|------|
| Instrument sensor for variable area flowmeter | 1271 | Series 850, DN 25 | 25 |
| Instrument sensor for variable area flowmeter | 1273 | | |
| 2 Fieldbus | Code | 5 Resolution | Code |
| without | 000 | 35 contacts, GEMÜ 865, 867, 880, 885 DN 10 - DN 20 43 contacts, GEMÜ 865, 867, 880, 885 DN 25 | 01 |
| | | 100 contacts | 03 |
| 3 Accessory | Code | 6 CONEXO | Code |
| Accessory | Z | Without | |
| | | Integrated RFID chip for electronic identification and traceability | C |
| 4 Series | Code | | |
| Series 850, DN 10 - DN 20 | 10 | | |

Order codes

| Ordering option | Code | Description |
|-----------------|------|--|
| 1 Type | 1271 | Instrument sensor for variable area flowmeter |
| 2 Fieldbus | 000 | without |
| 3 Accessory | Z | Accessory |
| 4 Series | 10 | Series 850, DN 10 - DN 20 |
| 5 Resolution | 01 | 35 contacts, GEMÜ 865, 867, 880, 885 DN 10 - DN 20 43 contacts, GEMÜ 865, 867, 880, 885 DN 25 |
| 6 CONEXO | | Without Integrated RFID chip for electronic identification and traceability |

Technical data

Mechanical data

Protection class: IP 65

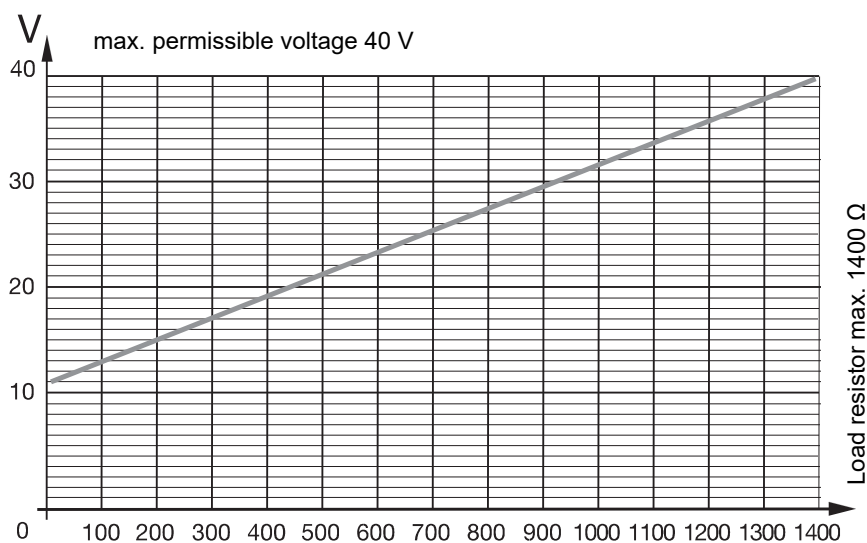
Measured data:

| Device type | Number of switch points | Metering length | Distance of reed contacts |
|-------------------|-------------------------|-----------------|---------------------------|
| GEMÜ 1270000Z2501 | 55 | 230 mm | 4,25 mm |
| GEMÜ 1270000Z2503 | 100 | 230 mm | 2,30 mm |
| GEMÜ 1271000Z1001 | 35 | 118 mm | 3,50 mm |
| GEMÜ 1271000Z2501 | 43 | 147 mm | 2,30 mm |
| GEMÜ 1272000Z2501 | 55 | 210 mm | 4,25 mm |
| GEMÜ 1272000Z2503 | 100 | 210 mm | 2,30 mm |
| GEMÜ 1273000Z1001 | 35 | 118 mm | 3,50 mm |
| GEMÜ 1273000Z2501 | 43 | 125 mm | 3,50 mm |

Electrical data

Supply voltage:

GEMÜ 1270, 1271: max. 24 V DC
 GEMÜ 1272, 1273: U_{\min} 11 V DC + 0.02 A x load resistor (Ω)
 U_{\max} 40 V DC
 For values see diagram



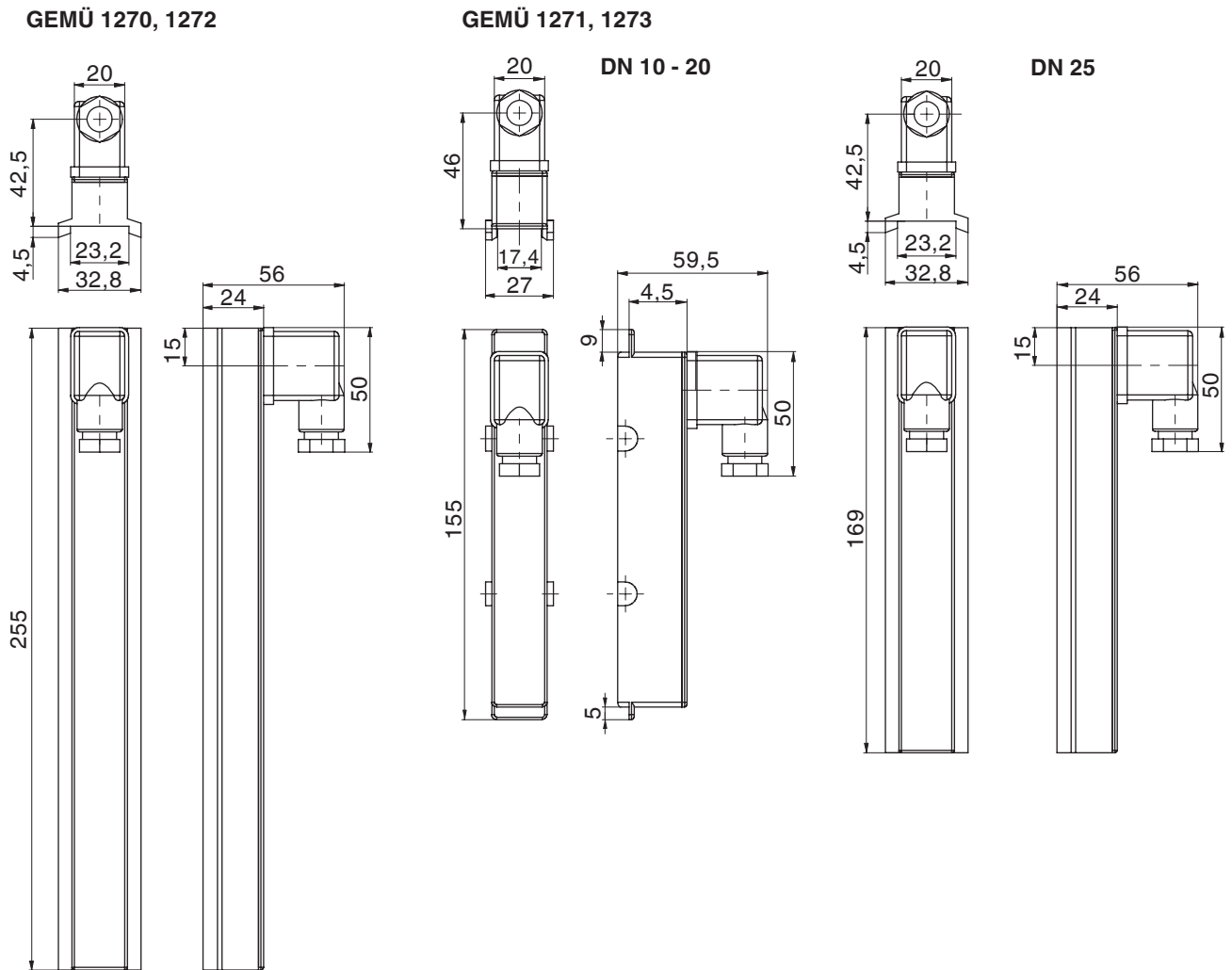
Max. power consumption: V x 20 mA

Output current: 4 - 20 mA

Detection of measured values: Series of reed contacts connected to a chain of resistors 0 – 10 k Ω

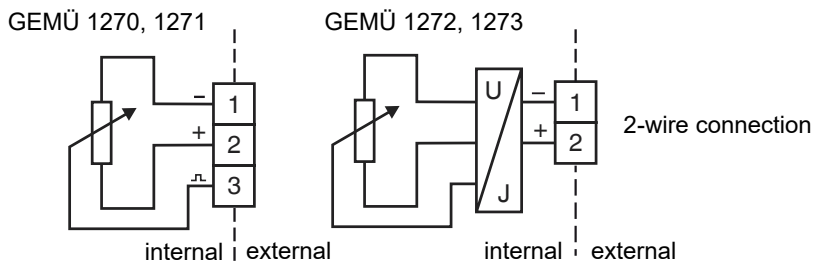
Electrical connection type: Plug, design B

Dimensions



Dimensions in mm

Electrical connection





GEMÜ Gebr. Müller Apparatebau GmbH & Co. KG
Fritz-Müller-Straße 6-8, 74653 Ingelfingen-Criesbach, Germany
Phone +49 (0) 7940 1230 · info@gemue.de
www.gemu-group.com