

## **GEMÜ 8303**

### *Electrically operated pilot solenoid valve*



#### **Features**

- Optional installation position
- Simple coil replacement without tools (Click-on®)
- The solenoid can be replaced without removing the valve body from the piping
- Standard silenced venting

---

#### **Description**

The GEMÜ 8303 3/2-way pilot solenoid valve requires differential pressure. The housing is made from aluminium or stainless steel. The plastic encapsulated coil is detachable.









#### **Technical specifications**

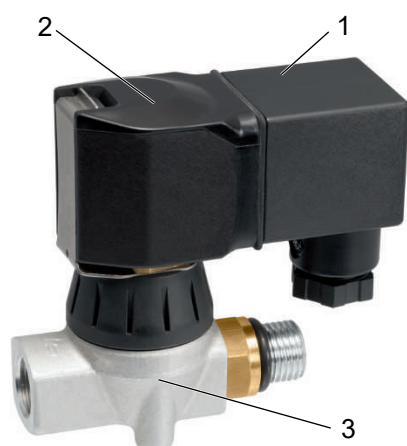
- **Electrical connection types:** Plug, design A
- **Supply voltages:** 110 V AC, 50 Hz | 230 V AC, 50 Hz | 24 V AC, 50 Hz | 24 V DC
- **Connection standards:** DIN
- **Body materials:** 1.4581 | Aluminium
- **Conformities:** ATEX | EAC

Technical data depends on the respective configuration



## Product line

								
	GEMÜ 0322	GEMÜ 0324	GEMÜ 0326	GEMÜ 8303	GEMÜ 8357	GEMÜ 8458	GEMÜ 8500	GEMÜ 8506
<b>Media temperature</b>	-	-	-	-	-	-	-	-
<b>Ambient temperature</b>	-	-	-	-	-	-	-	-
<b>Operating pressure</b>	-	-	-	-	-	-	-	-
<b>Nominal sizes</b>								
<b>Electrical connection type</b>								
Plug, design A	●	●	●	●	●	-	-	●
Plug, design B	-	-	-	-	-	-	●	-
M12 plug	●	●	●	-	-	-	-	-
<b>Voltage</b>								
110 V AC, 50 Hz	-	-	-	●	-	-	-	●
110 V AC, 50/60 Hz	-	-	-	-	-	-	●	-
12 V DC	-	-	-	-	-	-	●	-
120 V AC, 50/60 Hz	●	●	●	-	-	-	-	-
230 V AC, 50 Hz	-	-	-	●	●	●	-	●
230 V AC, 50/60 Hz	●	●	●	-	-	-	●	-
24 V AC, 50 Hz	-	-	-	●	●	●	-	●
24 V AC, 50/60 Hz	●	●	●	-	-	-	●	-
24 V DC	●	●	●	●	●	●	●	●
<b>Connection types</b>								
Threaded connection	●	●	●	●	●	●	●	●
<b>Body material</b>								
1.4581	-	-	-	●	-	-	-	-
Aluminium	-	-	-	●	●	●	●	●
PA	●	●	●	-	-	-	-	-
<b>Conformities</b>								
ATEX	●	●	●	●	-	-	●	-
EAC	●	●	●	●	●	●	-	●
Functional safety	●	●	●	-	-	-	●	-

**Product description**

Item	Name	Materials
1	Plug	PA
2	Coil housing	PA 6
3	Valve body	3.2315, AlMgSi1/AlSi1MgMn 1.4581, stainless steel
	Seal materials	NBR

## Order data

The order data provide an overview of standard configurations.

Please check the availability before ordering. Other configurations available on request.

## Order codes

1 Type	Code
Pilot solenoid valve,directly controlled	8303

2 DN	Code
DN 2	002

3 Body configuration	Code
Multi-port version	M

4 Connection type	Code
Threaded socket DIN ISO 228	1

5 Valve body material	Code
3.2315, AlMgSi1/AlSi1MgMn	14
1.4581, stainless steel	38

6 Seal material	Code
NBR	2

7 Control function	Code
Normally closed (NC)	1

8 Voltage	Code
24 V	24
110 V	110
230 V	230

9 Frequency	Code
DC	DC
50 Hz	50

10 Special version	Code
Without	
ATEX version	X

## Order example

Order option	Code	Description
1 Type	8303	Pilot solenoid valve,directly controlled
2 DN	002	DN 2
3 Body configuration	M	Multi-port version
4 Connection type	1	Threaded socket DIN ISO 228
5 Valve body material	14	3.2315, AlMgSi1/AlSi1MgMn
6 Seal material	2	NBR
7 Control function	1	Normally closed (NC)
8 Voltage	230	230 V
9 Frequency	50/60	50 - 60 Hz
10 Special version		Without

## Technische Daten

### Medium

**Working medium:** Filtered, lubricated or unlubricated compressed air which has no negative impact on the physical and chemical properties of the valve body and seal material.

### Temperature

**Media temperature:** 14 – 140 °F

**Storage temperature:** 32 – 104 °F



### Pressure

**Operating pressure:** 15 – 150 psi

**Flow rate:** 82 NI/min

### Produktkonformitäten

**Explosion protection:** ATEX (2014/34/EU), order code Special version X

**ATEX marking:** Gas:  II 2G Ex eb mb IIC T4 Gb  
Dust:  II 2D Ex mb tb IIIB T125°C-135°C Db

**Type examination certificate:** PTZ 16 ATEX 0011 X

**Approvals:** CSA approval

### Mechanische Daten

**Protection class:** IP 65 (with plug)

**Weight:** 0.4 kg

### Elektrische Daten

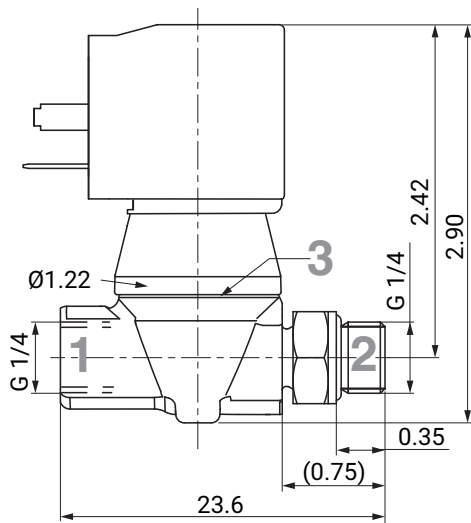
<b>Power consumption:</b>	<b>AC operation:</b>	Pull in	15 VA
		Hold in	12 VA
	<b>DC operation:</b>		8 W

**Switching times:** **ON:** 8.5 ms  
**OFF:** 30.4 ms

**Permissible voltage tolerance:** ±10 % to VDE 0580

**Duty cycle:** Continuous duty

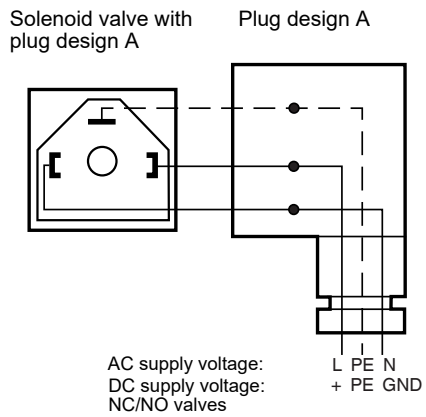
## Dimensions



Dimensions in inch

## Electrical connection

### Connection diagram for plug design A (DIN EN 175301-803)



## Accessories



### GEMÜ 2026

#### Plug

GEMÜ 2026 are plugs with lights, with or without interference suppression. Various versions available. The DC voltage version with a bridge rectifier has a plug with reverse battery protection. The scope of supply comprises a gasket made from NBR and a M3x35 central screw

#### Ordering information

Designation	Design	Item
2026000Z AM1600S2 2C1	24V DC, M16, suppressor diode, 2-pin	88668463
2026000Z AM16G0S2 2C1	24V DC, M16, green LED, suppressor diode, 2-pin	88668468
2026000Z AM16GBV2 2C1	24V DC, M16, green LED, bridge rectifier, varistor, 2-pin	88668469
2026000Z AM16GBS2 2C1	24V DC, M16, green LED, bridge rectifier, suppressor diode, 2-pin	88668470
2026000Z AM16G002 2C1	24V DC, M16, green LED, 2-pin	88668471
2026000Z AM16G0V2 2C1	24V DC, M16, varistor, green LED, 2-pin	88668473
2026000Z AM160BV2 2L4	230V 50/60Hz, M16, bridge rectifier, varistor, 2-pin	88668464
2026000Z AM160002 2L4	230V 50/60Hz, M16, 2-pin	88668465
2026000Z AM160003 2L4	230V 50/60Hz, M16, 3-pin	88668466
2026000Z AM160002 2L42M	230V 50/60Hz, M16, 2-pin, 2 m cable	88668474
2026000Z AM160002 2L45M	230V 50/60Hz, M16, 2-pin, 5 m cable	88668475
2026000Z AM16Y002 2L4	230V 50/60Hz, M16, yellow LED, 2-pin	88668476
2026000Z AM16Y0S2 2L4	230V 50/60Hz, M16, yellow LED, suppressor diode, 2-pin	88668477
2026000Z AM16GBV2 2L4	230V 50/60Hz, M16, green LED, bridge rectifier, varistor, 2-pin	88668478



GEMÜ Gebr. Müller Apparatebau GmbH & Co. KG  
Fritz-Müller-Straße 6-8, 74653 Ingelfingen-Criesbach, Germany  
Tel. +49 (0)7940 123-0 · info@gemue.de  
www.gemu-group.com