

GEMÜ 8357

Electrically operated pilot solenoid valve



Features

- Optional installation position
- Standard manual override
- Battery mounting with central air supply possible
- The solenoid can be replaced without removing the valve body from the piping

Description

The GEMÜ 8357 servo assisted 3/2-way pilot solenoid valve is indirectly controlled. The body is made of aluminium. The plastic encapsulated coil is detachable.

Technical specifications

- **Media temperature:** -10 to 60 °C
- **Ambient temperature:** -10 to 60 °C
- **Operating pressure:** 1 to 10 bar
- **Nominal size:** DN 6
- **Electrical connection types:** Plug, design A
- **Supply voltages:** 230 V AC, 50 Hz | 24 V AC, 50 Hz | 24 V DC
- **Connection types:** Threaded connection
- **Body materials:** Aluminium
- **Conformities:** EAC

Technical data depends on the respective configuration



Product line



	GEMÜ 0322	GEMÜ 0324	GEMÜ 0326	GEMÜ 8303	GEMÜ 8357	GEMÜ 8458	GEMÜ 8500	GEMÜ 8506
Media temperature	-10 to 50 °C	-10 to 50 °C	-10 to 50 °C	-10 to 60 °C	-10 to 60 °C	-10 to 50 °C	-10 to 60 °C	-10 to 50 °C
Ambient temperature	-10 to 50 °C	-10 to 50 °C	-10 to 50 °C	-10 to 60 °C	-10 to 60 °C	-10 to 50 °C	-10 to 60 °C	-10 to 50 °C
Operating pressure	0 to 10 bar	0 to 10 bar	0 to 10 bar	1 to 10 bar	1 to 10 bar	1 to 10 bar	2,5 to 10 bar	2 to 8 bar
Nominal sizes	DN 2	DN 2	DN 2	DN 2	DN 6	DN 6	DN 7	DN 6
Electrical connection type								
Plug, design A	●	●	●	●	●	-	-	●
Plug, design B	-	-	-	-	-	-	●	-
M12 plug	●	●	●	-	-	-	-	-
Voltage								
110 V AC, 50 Hz	-	-	-	●	-	-	-	●
110 V AC, 50/60 Hz	-	-	-	-	-	-	●	-
12 V DC	-	-	-	-	-	-	●	-
120 V AC, 50/60 Hz	●	●	●	-	-	-	-	-
230 V AC, 50 Hz	-	-	-	●	●	●	-	●
230 V AC, 50/60 Hz	●	●	●	-	-	-	●	-
24 V AC, 50 Hz	-	-	-	●	●	●	-	●
24 V AC, 50/60 Hz	●	●	●	-	-	-	●	-
24 V DC	●	●	●	●	●	●	●	●
Connection types								
Threaded connection	●	●	●	●	●	●	●	●
Body material								
1.4581	-	-	-	●	-	-	-	-
Aluminium	-	-	-	●	●	●	●	●
PA	●	●	●	-	-	-	-	-
Conformities								
ATEX	●	●	●	●	-	-	●	-
EAC	●	●	●	●	●	●	-	●
Functional safety	●	●	●	-	-	-	●	-

Product description



Item	Name	Materials
1	Plug	PA
2	Coil housing	PA
3	Pilot head	PA
4	Valve body	Aluminium
	Seal materials	NBR

Order data

The order data provide an overview of standard configurations.

Please check the availability before ordering. Other configurations available on request.

Order codes

1 Type	Code
Pilot solenoid valve, servo assisted, manual override	8357
2 DN	Code
DN 6	6
3 Body configuration	Code
Multi-port design	M
4 Connection type	Code
Threaded socket DIN ISO 228	1
5 Valve body material	Code
AA-2015, AlCuMgSn	14

6 Seal material	Code
NBR	2
7 Switch position	Code
Closed neutral position	1
Open neutral position	2
8 Voltage	Code
24 V	24
230 V	230
9 Frequency	Code
50 Hz	50
DC	DC
10 Special version	Code
ATEX version	X

Order example

Ordering option	Code	Description
1 Type	8357	Pilot solenoid valve, servo assisted, manual override
2 DN	6	DN 6
3 Body configuration	M	Multi-port design
4 Connection type	1	Threaded socket DIN ISO 228
5 Valve body material	14	AA-2015, AlCuMgSn
6 Seal material	2	NBR
7 Switch position	1	Closed neutral position
8 Voltage	230	230 V
9 Frequency	50	50 Hz
10 Special version		Without

Technical data

Medium

Working medium: Filtered, lubricated or unlubricated compressed air which has no negative impact on the physical and chemical properties of the valve body and seal material.

Temperature

Media temperature: -10 – 60 °C

Pressure

Operating pressure: 1 – 10 bar

Flow rate: 1200 NI/min
6 bar pressure / 1 bar Δp

Mechanical data

Protection class: IP 65 (with plug)

Weight: 0.4 kg

Installation position: Optional

Note: Back flow through R cannot be throttled

Electrical data

Power consumption: AC operation: 4,9 VA
DC operation: 2.7 W

Switching times: Approx. 20 ms

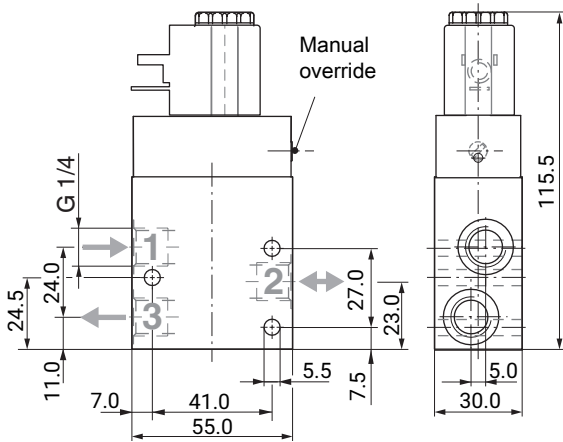
Permissible voltage tolerance: $\pm 10\%$ to VDE 0580

Duty cycle: Continuous duty

Wiring note: Special wiring on request. When using electronic switches and additional wiring, carefully design out any potential residual currents upon installation.

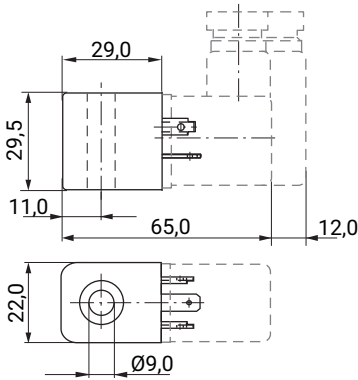
Dimensions

Solenoid valve GEMÜ 8357



Dimensions in mm

GEMÜ 3033 solenoid



Dimensions in mm

Accessories



GEMÜ 1755

Double threaded nipple

GEMÜ 1755 is a metal double nipple and is available in various materials and designs.

Ordering information

Description	Order code	Item number
Direct mounting to valves with G 1/4" thread	1755 000 Z A2 14 A2 14 MS	88004457
Direct mounting to valves with G 1/8" thread	1755 000 Z A2 14 A2 18 MS	88004459

GEMÜ 1050_000Z_02_03**Mounting bracket**

GEMÜ 1050 is a mounting bracket with mounting parts for the 8357 and 8458 pilot valves.

Ordering information

Type	Item number	Order designation
1050	88355707	1050 000 Z 02
	88355708	1050 000 Z 03

GEMÜ 3033**Solenoid**

GEMÜ 3033 solenoid: Form A connector without cable, standard version for direct current

Ordering information

Type	Item number	Order description
3033	88100480	8506 000 P 3033

GEMÜ 3060**Solenoid**

GEMÜ 3060 Ex solenoid: Form B connector with 3 m cable, ATEX version for direct current

Protection class:

II 2G Ex mb IIC T4/T5 Gb

II 2D Ex mb tb IIIC T95°C, T130° Db

Ordering information

Type	Item number	Order designation
3060	88318220	8458 000 P 3060

GEMÜ 3061**Solenoid**

GEMÜ 3061 Ex solenoid: Form B connector with 3 m cable, ATEX version for AC current

Protection class:

II 2G Ex mb IIC T4/T5 Gb

II 2D Ex mb tb IIIC T95°C, T130° Db

Ordering information

Type	Item number	Order designation
3061	88318221	8458 000 P 3061

**GEMÜ 2026****Plug**

GEMÜ 2026 are plugs with lights, with or without interference suppression. Various versions available. The DC voltage version with a bridge rectifier has a plug with reverse battery protection. The scope of supply comprises a gasket made from NBR and a M3x35 central screw

Ordering information

Designation	Design	Item
2026000Z AM1600S2 2C1	24V DC, M16, suppressor diode, 2-pin	88668463
2026000Z AM16G0S2 2C1	24V DC, M16, green LED, suppressor diode, 2-pin	88668468
2026000Z AM16GBV2 2C1	24V DC, M16, green LED, bridge rectifier, varistor, 2-pin	88668469
2026000Z AM16GBS2 2C1	24V DC, M16, green LED, bridge rectifier, suppressor diode, 2-pin	88668470
2026000Z AM16G002 2C1	24V DC, M16, green LED, 2-pin	88668471
2026000Z AM16G0V2 2C1	24V DC, M16, varistor, green LED, 2-pin	88668473
2026000Z AM160BV2 2L4	230V 50/60Hz, M16, bridge rectifier, varistor, 2-pin	88668464
2026000Z AM160002 2L4	230V 50/60Hz, M16, 2-pin	88668465
2026000Z AM160003 2L4	230V 50/60Hz, M16, 3-pin	88668466
2026000Z AM160002 2L42M	230V 50/60Hz, M16, 2-pin, 2 m cable	88668474
2026000Z AM160002 2L45M	230V 50/60Hz, M16, 2-pin, 5 m cable	88668475
2026000Z AM16Y002 2L4	230V 50/60Hz, M16, yellow LED, 2-pin	88668476
2026000Z AM16Y0S2 2L4	230V 50/60Hz, M16, yellow LED, suppressor diode, 2-pin	88668477
2026000Z AM16GBV2 2L4	230V 50/60Hz, M16, green LED, bridge rectifier, varistor, 2-pin	88668478



GEMÜ Gebr. Müller Apparatebau GmbH & Co. KG
Fritz-Müller-Straße 6-8, 74653 Ingelfingen-Criesbach, Germany
Phone +49 (0) 7940 1230 · info@gemu.de
www.gemu-group.com