

GEMÜ B20

Manually operated ball valve



Features

- High flow rate
- Low weight
- Compact design
- Lockable hand lever

Description

The GEMÜ B20 2-piece 2/2-way metal ball valve is manually operated. It has a plastic sleeved lockable hand lever. The seat seal is made of PTFE.

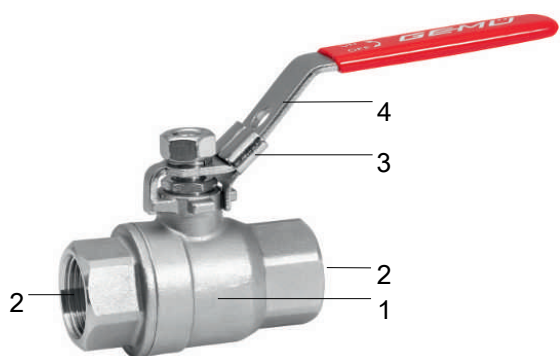
Technical specifications

- **Media temperature:** -4 to 356 °F
- **Ambient temperature:** -4 to 140 °F
- **Operating pressure:** 0 to 914 psi
- **Nominal sizes:** 1/4" (DN 8) to 2 1/2" (DN 65)
- **Body configurations:** 2/2-way body
- **Connection standards:** DIN | NPT
- **Body materials:** 1.4408, investment casting material
- **Seal materials:** PTFE

Technical data depends on the respective configuration



Product description



Item	Name	Materials
1	Ball valve body	CF8M 1.4408 investment casting
2	Pipe connections	
3	Lock	CF8M 1.4408 investment casting
4	Hand lever	304

Order data

The order data provide an overview of standard configurations.

Please check the availability before ordering. Other configurations available on request.

Order codes

1 Type	Code
Ball valve, metal, manually operated, 2-piece body, lockable hand lever	B20

2 DN	Code
DN 8	8
DN 10	10
DN 15	15
DN 20	20
DN 25	25
DN 32	32
DN 40	40
DN 50	50
DN 65	65

3 Body/ball configuration	Code
2/2-way body	D

4 Connection type	Code
Threaded socket DIN ISO 228	1
Threaded socket NPT	31

5 Ball valve material	Code
1.4408 / CF8M (body, connection), 1.4401 / SS316 (ball, shaft)	37

6 Seal material	Code
PTFE	5

7 Control function	Code
Manually operated, hand lever, lockable	L

Order example

Order option	Code	Description
1 Type	B20	Ball valve, metal, manually operated, 2-piece body, lockable hand lever
2 DN	15	DN 15
3 Body/ball configuration	D	2/2-way body
4 Connection type	1	Threaded socket DIN ISO 228
5 Ball valve material	37	1.4408 / CF8M (body, connection), 1.4401 / SS316 (ball, shaft)
6 Seal material	5	PTFE
7 Control function	L	Manually operated, hand lever, lockable

Technical data

Medium

Working medium: Corrosive, inert, gaseous and liquid media and steam which have no negative impact on the physical and chemical properties of the body and seal material.

Temperature

Media temperature: -4 – 356 °F

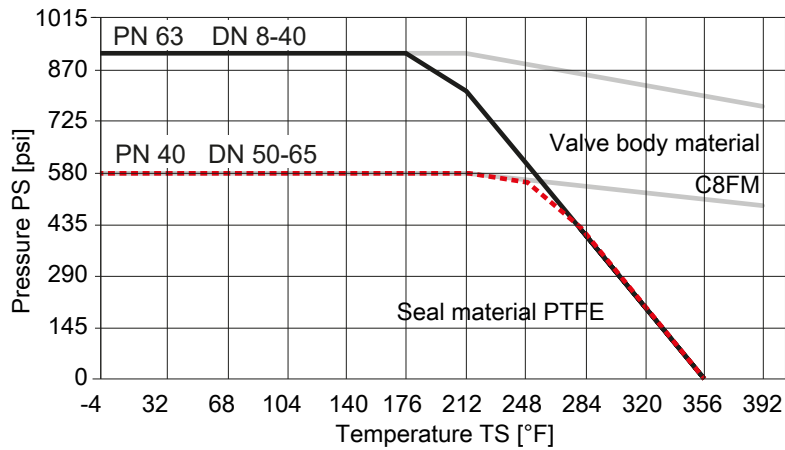
Ambient temperature: -4 – 140 °F

Storage temperature: 32 – 104 °F

Pressure

Vacuum: Can be used up to a vacuum of 1.5 inhg (absolute)

Pressure/temperature diagram:



Cv values:

DN	NPS	Kv values
8	1/4"	10.06
10	3/8"	24.57
15	1/2"	40.95
20	3/4"	53.82
25	1"	84.24
32	1 1/4"	122.85
40	1 1/2"	198.90
50	2"	321.75
65	2 1/2"	424.71

Cv values in gpm

Operating pressure: 0 – 914 psi

Product conformities

Pressure Equipment Directive: 2014/68/EU

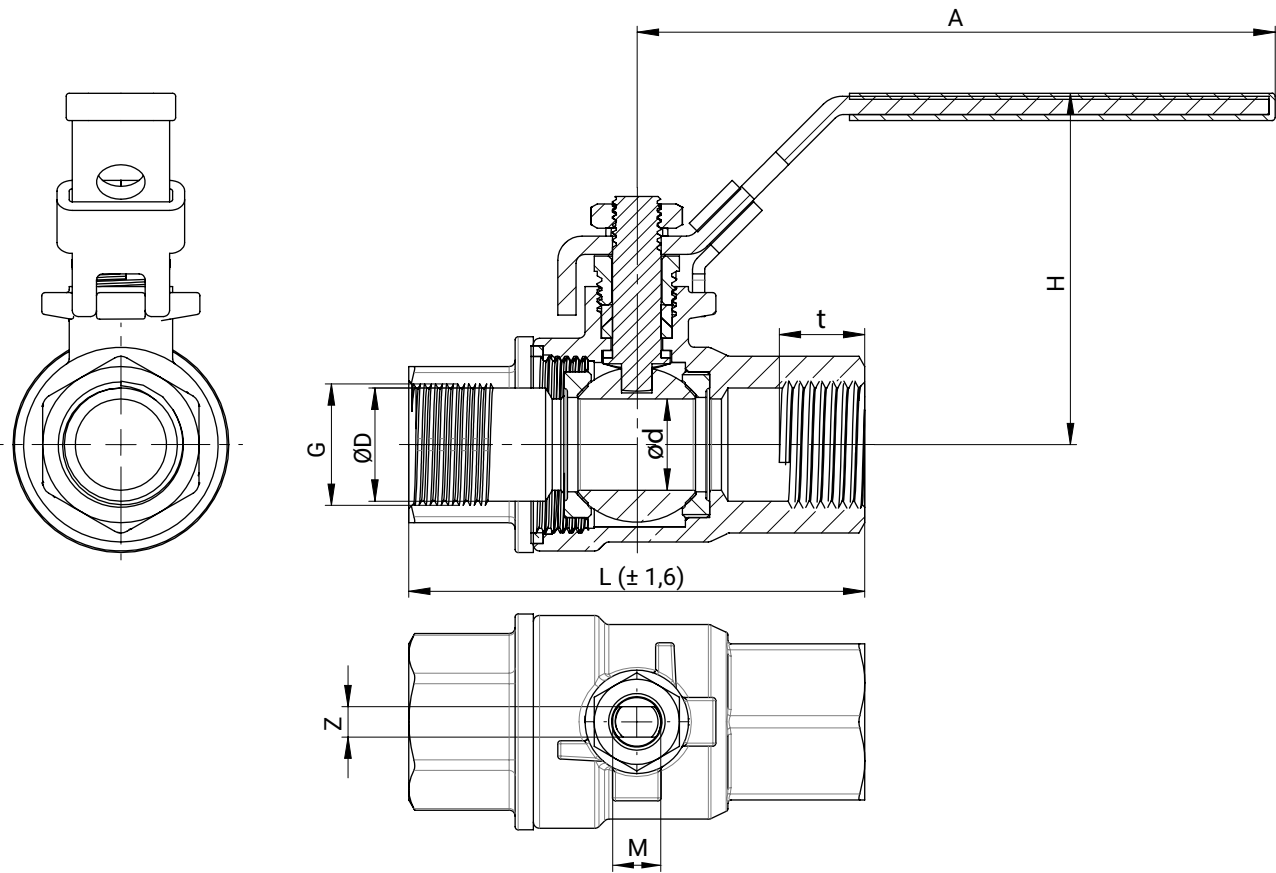
Food: FDA
Regulation (EC) No. 10/2011
Regulation (EC) No. 1935/2006

Mechanical data**Weight:**

DN	NPS	Weight
8	1/4"	1.01
10	3/8"	1.01
15	1/2"	1.01
20	3/4"	1.15
25	1"	1.83
32	1¼"	2.85
40	1½"	4.22
50	2"	6.38
65	2½"	6.38

Weight in lb

Dimensions



DN	G	ød	ØD	A	L	H	t	M	Z
8	1/4"	0.47	0.59	3.62	2.17	1.93	0.43	M8	0.20
10	3/8"	0.47	0.59	3.62	2.36	1.93	0.43	M8	0.20
15	1/2"	0.59	0.73	4.13	2.95	2.05	0.55	M8	0.20
20	3/4"	0.79	0.95	4.88	3.15	2.48	0.55	M10	0.24
25	1"	0.98	1.19	5.12	3.54	2.64	0.63	M10	0.24
32	1¼"	1.26	1.54	5.51	4.33	3.15	0.87	M12	0.28
40	1½"	1.50	1.77	6.89	4.72	3.66	0.94	M14	0.35
50	2"	1.93	2.23	6.89	5.51	4.33	1.02	M14	0.35
65	2½"	2.52	2.86	8.66	7.28	4.61	1.22	M14	0.35

Dimensions in inch

Certificates

Certificate	Standard	Item number
3.1 Material	EN 10204	88333336



GEMÜ Gebr. Müller Apparatebau GmbH & Co. KG
Fritz-Müller-Straße 6-8, 74653 Ingelfingen-Criesbach, Germany
Tel. +49 (0)7940 123-0 · info@gemue.de
www.gemu-group.com