

GEMÜ Code 8

CR diaphragm



Features

- Very suitable for abrasive media
- Ozone and weather resistant
- Simple and defined mounting thanks to the threaded pin that is vulcanised in place with integrated screw-in stop

Description

The GEMÜ CR diaphragm code 8 has been developed for use in industrial applications, for example in the chemical industry, environmental engineering or the processing industry. The diaphragm is made of chloroprene rubber. This material is also known as neoprene in English-speaking countries.

Technical specifications

- **Media temperature:** -10 to 100 °C
- **Diaphragm material:** CR
- **Diaphragm sizes:** 25 | 40 | 50 | 65 | 80 | 100
- **Vacuum:** up to 70 mbar (absolute)

Technical data depends on the respective configuration



Product comparison



	GEMÜ Code 29	GEMÜ Code 4A/4	GEMÜ Code 2	GEMÜ Code 6	GEMÜ Code 8
Media temperature	-10 to 100 °C	-10 to 90 °C	-10 to 100 °C	-5 to 100 °C	-10 to 100 °C
Diaphragm materials					
CR	-	-	-	-	●
EPDM	●	-	-	-	-
FKM	-	●	-	-	-
IIR	-	-	-	●	-
NBR	-	-	●	-	-
Diaphragm sizes					
8	-	●	-	-	-
10	●	●	●	-	-
20	●	●	●	-	-
25	●	●	●	●	●
40	●	●	●	●	●
50	●	●	●	●	●
65	●	●	●	●	●
80	●	●	●	●	●
100	●	●	●	●	●
125	●	●	●	●	-
150	●	●	●	●	-
200	●	-	-	●	-
Conformities					
BSE/TSE	●	-	●	●	●

Each application must be analysed before the selection of the diaphragm material. Since the most varied operating conditions often prevail within a plant at different locations, it can be necessary to use different valves and materials. In particular, the chemical properties and the temperature of the working media often lead to different interactions. The suitability of the materials used must therefore always be examined individually with regard to the current resistance list or checked by an authorised specialist. Only this procedure guarantees that the application will operate safely and economically for a longer period. Diaphragms are wearing parts. They need to be regularly inspected and replaced otherwise malfunctions can occur, possibly resulting in hazardous situations.

Please note: The maintenance intervals for inspecting and replacing diaphragms are application-dependent. In order to determine a suitable maintenance interval, the maintenance history and the stresses placed on the parts due to frequent cycle duties must be taken into account.

Product comparison

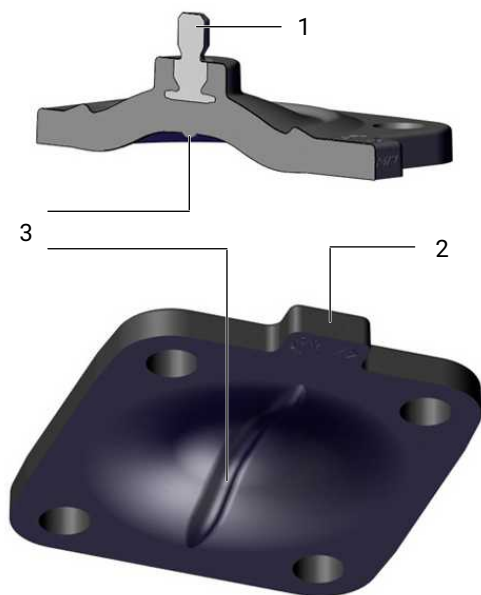


	GEMÜ Code 5T	GEMÜ Code 56	GEMÜ Code 71
Media temperature	-10 to 100 °C	-10 to 100 °C	-20 to 100 °C
Diaphragm materials			
PTFE/FKM	●	●	-
PTFE/PVDF/EPDM	-	-	●
Diaphragm sizes			
10	●	●	●
20	-	●	-
25	●	●	●
40	●	●	●
50	●	●	●
80	●	●	●
100	●	●	●
Conformities			
BSE/TSE	●	●	●

Each application must be analysed before the selection of the diaphragm material. Since the most varied operating conditions often prevail within a plant at different locations, it can be necessary to use different valves and materials. In particular, the chemical properties and the temperature of the working media often lead to different interactions. The suitability of the materials used must therefore always be examined individually with regard to the current resistance list or checked by an authorised specialist. Only this procedure guarantees that the application will operate safely and economically for a longer period. Diaphragms are wearing parts. They need to be regularly inspected and replaced otherwise malfunctions can occur, possibly resulting in hazardous situations.

Please note: The maintenance intervals for inspecting and replacing diaphragms are application-dependent. In order to determine a suitable maintenance interval, the maintenance history and the stresses placed on the parts due to frequent cycle duties must be taken into account.

Product description



Item	Name
1	Threaded pin vulcanized in place with integrated screw-in stop
2	Tab
3	Sealing bead for reliable sealing on the valve weir

Order data

The order data provide an overview of standard configurations.

Please check the availability before ordering. Other configurations available on request.

Order codes

1 Type	Code
Diaphragm	600

2 Diaphragm size	Code
Diaphragm size 25	25
Diaphragm size 40	40
Diaphragm size 50	50
Diaphragm size 65	65
Diaphragm size 80	80
Diaphragm size 100	100

3 Replacement diaphragm	Code
Replacement diaphragm	M

4 Diaphragm material	Code
CR	8

5 Type of design	Code
Without	
Media wetted area cleaned to ensure suitability for paint applications, parts sealed in plastic bag	0101
Media wetted parts cleaned for high purity media and packed in plastic bag	0104

Order example

Ordering option	Code	Description
1 Type	600	Diaphragm
2 Diaphragm size	25	Diaphragm size 25
3 Replacement diaphragm	M	Replacement diaphragm
4 Diaphragm material	8	CR
5 Type of design	0104	Media wetted parts cleaned for high purity media and packed in plastic bag

Technical data

Medium

Working medium: Corrosive, inert, gaseous and liquid media which have no negative impact on the physical and chemical properties of the body and diaphragm material.

Temperature

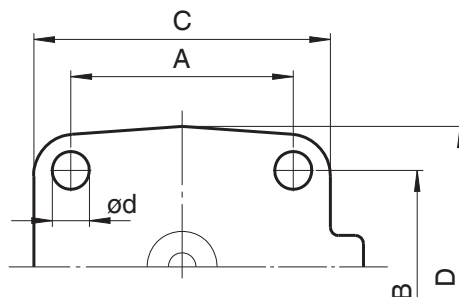
Media temperature: -10 – 100 °C

Mechanical data

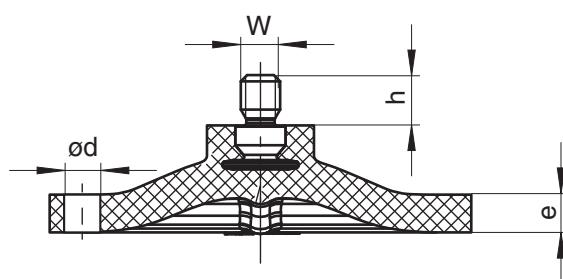
Service life: Max. recommended service life, 5 years
The service life is the sum of the storage life and operating life.
Note the Technical Information "Service life, storage and marking of GEMÜ diaphragms".

Dimensions

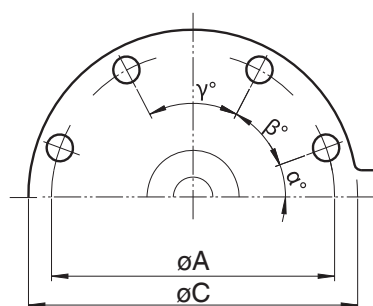
CR diaphragm



MG 25 to 80



MG 25 to 100



MG 100

MG	DN	NPS	A	B	C	D	ød	e	h	W	α	β	γ	n
25	15 - 25	1/2" - 1"	54.0	46.0	72.0	67.0	9.0	7.0	8.0	1/4"	-	-	-	4
40	32 - 40	1 1/4" - 1 1/2"	70.0	65.0	100.0	90.0	11.0	8.0	8.0	1/4"	-	-	-	4
50	50	2"	82.0	78.0	124.0	106.0	12.7	8.0	7.0	1/4"	-	-	-	4
65	65	2 1/2"	102.0	95.0	145.0	133.0	14.0	10.0	9.0	5/16"	-	-	-	4
80	80	3"	127.0	114.0	186.0	156.0	18.0	11.5	8.0	5/16"	-	-	-	4
100	100	4"	196.2	-	230.0	-	13.0	11.0	9.0	5/16"	28.0°	42.0°	40.0°	8

Dimensions in mm, MG = diaphragm size

n = number of bolt holes

The thread of the diaphragm pin "W" corresponds to Whitworth standard.



GEMÜ Gebr. Müller Apparatebau GmbH & Co. KG
Fritz-Müller-Straße 6-8, 74653 Ingelfingen-Criesbach, Germany
Phone +49 (0) 7940 1230 · info@gemue.de
www.gemu-group.com