

GEMÜ K410

Butterfly valve with bare shaft



Features

- Low weight
- Corrosion resistant plastic body
- Simple installation with union nut

Description

The GEMÜ K410 butterfly valve has a bare shaft. The GEMÜ RSK check valve is available in plastic.

Technical specifications

- **Media temperature:** 0 to 60 °C
- **Ambient temperature:** -10 to 60 °C
- **Operating pressure:** 0 to 6 bar
- **Nominal sizes:** DN 15 to 50
- **Connection types:** Union end
- **Connection standards:** BS | DIN
- **Housing materials:** PVC-U, grey
- **Liner materials:** EPDM | FKM | Silicone
- **Disc materials:** PVDF
- **Conformities:** EAC

Technical data depends on the respective configuration



Product line



	GEMÜ K410	GEMÜ 417	GEMÜ 410	GEMÜ 423
Operation				
With bare shaft	●	-	-	-
Manual	-	●	-	-
Pneumatic	-	-	●	-
Motorized	-	-	-	●
Nominal sizes	DN 15 to 50	DN 15 to 50	DN 15 to 50	DN 15 to 50
Media temperature	0 to 60 °C	0 to 60 °C	0 to 60 °C	0 to 60 °C
Operating pressure	0 to 6 bar	0 to 6 bar	0 to 6 bar	0 to 6 bar
Connection types				
Union end	●	●	●	●
Conformities				
CSA	-	-	-	●
EAC	●	●	●	●

Product description



Item	Name	Material
1	Valve body	PVC-U, grey
2	Pipe connections	PVC-U, grey

Order data

The order data provide an overview of standard configurations.

Please check the availability before ordering. Other configurations available on request.

Order codes

1 Type	Code
Butterfly valve body, plastic	K410

2 DN	Code
DN 15	15
DN 20	20
DN 25	25
DN 32	32
DN 40	40
DN 50	50

3 Body configuration	Code
2/2-way body	D

4 Connection type	Code
Union end with DIN insert (socket)	7
Union end with inch insert - BS (socket)	33

5 Body material	Code
PVC-U, grey	1

6 Shut-off seal material	Code
FPM	4
EPDM	14

Order example

Ordering option	Code	Description
1 Type	K410	Butterfly valve body, plastic
2 DN	25	DN 25
3 Body configuration	D	2/2-way body
4 Connection type	7	Union end with DIN insert (socket)
5 Body material	1	PVC-U, grey
6 Shut-off seal material	14	EPDM

Technical data

Medium

Working medium: Corrosive, inert, gaseous and liquid media which have no negative impact on the physical and chemical properties of the body, disc and seal material. The product is only suitable for use with fluids of group 2 according to the Pressure Equipment Directive.

Control medium: Inert gases

Temperature

Media temperature: 0 – 60 °C

Ambient temperature: -10 – 60 °C

Storage temperature: 0 – 40 °C

Control medium temperature: max. 60 °C

Pressure

Operating pressure: 0 – 6 bar

Kv values:

DN	Kv values
15	7
20	13
25	17
32	33
40	53
50	74

Kv values in m³/h

Pressure/temperature correlation:

Material	Code	Temperature in °C (valve body)						
		10	20	25	30	40	50	60
PVC-U	1	6.0	6.0	6.0	6.0	6.0	3.5	1.5

All pressures are gauge pressures.

The permissible operating pressure depends on the working medium temperature.

Product compliance

Pressure Equipment Directive: 2014/68/EU

Mechanical data

Torques:

DN	Torques
15	6.0
20	6.0
25	6.0
32	8.0
40	20.0
50	21.0

Torques in Nm

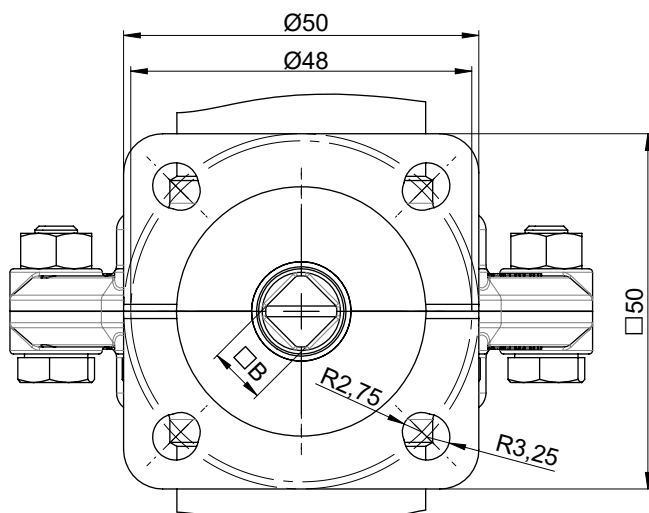
Weight:

DN	Weight
15	360
20	390
25	400
32	700
40	1072
50	1200

Weight in g

Dimensions

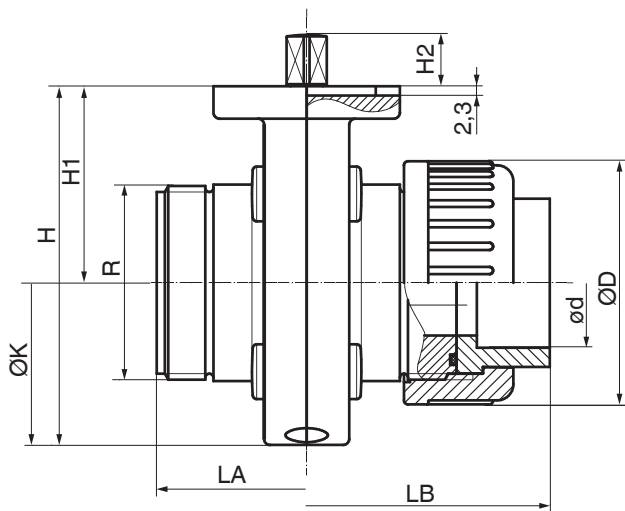
Actuator flange G05/F05



DN	□B	ØE	ØR	L max	L min	H2
15	8.0	25.0	10.0	18.0	7.0	13.0
20	8.0	25.0	10.0	18.0	7.0	13.0
25	8.0	25.0	10.0	18.0	7.0	13.0
32	8.0	65.0	10.0	34.0	22.0	13.0
40	8.0	80.0	12.0	42.0	30.0	13.0
50	8.0	90.0	12.0	42.0	30.0	13.0

Dimensions in mm

Body



DN	LA	LB	H	H1	H2	øD	ød	R	øK
15	74.0	114.0	89.0	48.5	13.0	60.0	20.0	G 1 1/2	80.0
20	74.0	118.0	89.0	48.5	13.0	60.0	25.0	G 1 1/2	80.0
25	74.0	124.0	89.0	48.5	13.0	60.0	32.0	G 1 1/2	80.0
32	80.0	138.0	106.0	57.5	13.0	74.0	40.0	G 2	96.0
40	94.0	162.0	112.0	58.0	13.0	83.0	50.0	G 2 1/4	108.0
50	106.0	188.0	137.0	74.0	13.0	103.0	63.0	G 2 3/4	126.0

Dimensions in mm

Add-on components



GEMÜ 9428

Motorized quarter turn actuator

The product is a motorized quarter turn actuator. The actuator is designed for DC or AC operating voltages. A manual override and an optical position indicator are integrated as standard. The torque in the end positions is increased. This enables a closing curve matched to the valves.



GEMÜ J4C

Motorized quarter turn actuator

The J4C actuator is a motorized quarter turn actuator. The motor is designed for DC and AC operating voltages. A manual override and an optical position indicator are integrated as standard. The end positions are potential-free and adjustable.



GEMÜ BC

Motorized quarter turn actuator

GEMÜ BC is a motorized quarter turn actuator. The weather-proof actuator has an aluminium housing and is available with different supply voltages and frequencies. The LOGIC version has a display and an on-site control. A manual override and an optical position indicator are integrated as standard. The actuator has adjustable potential-free limit switches and an integrated heating.



GEMÜ 9415

Pneumatic quarter turn actuator

The GEMÜ 9415 pneumatically operated plastic quarter turn actuator has a stable plastic housing made from glass fibre reinforced PP. The quarter turn movement ($90 + 3^\circ$) is transmitted to the shaft by means of a control piston and a sloping thread. By turning the positioning element 90° during assembly Normally Closed or Normally Open versions can be achieved.



GEMÜ Gebr. Müller Apparatebau GmbH & Co. KG
Fritz-Müller-Straße 6-8, 74653 Ingelfingen-Criesbach, Germany
Phone +49 (0) 7940 1230 · info@gemue.de
www.gemu-group.com