

GEMÜ Q40

Pneumatically operated pinch valve



Features

- Resistant stainless steel piston actuator, free from non-ferrous metals
- Fast, safe tube replacement
- Simple replacement of inserts and compressors for various tube sizes with the same actuator
- High quality and long service life
- Minimized strain on the tube due to the optimized compressor
- Positioners and process controllers can be mounted
- Several installation options possible in the plant thanks to the mounting flange or female thread on the body

Description

The GEMÜ Q40 2/2-way pinch valve has a stainless steel piston actuator and is pneumatically operated. The valve guides a tube which is compressed from above by a compressor to control and regulate media. The compressor's specially developed contour and the inserts' contour minimize the strain on the tube and thus increase the tubes' service life. Tubes can be safely inserted and removed in simple steps and without tools. The available control functions are "normally closed (NC)" and "normally open (NO)". An integral optical position indicator is standard.

Technical specifications

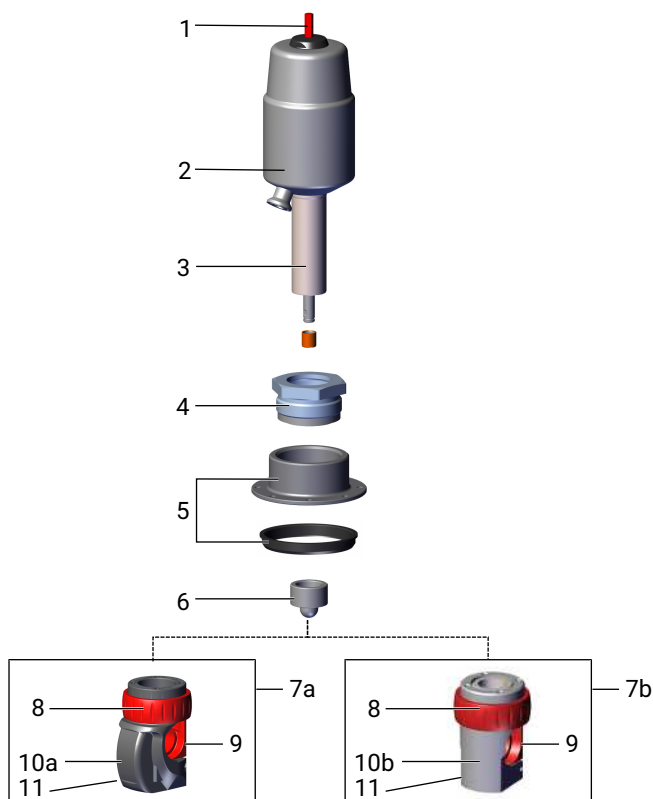
- **Media temperature:** Please observe the tube manufacturer's specifications
- **Ambient temperature:** Actuator: 32 to 140 °F, Tube: Please observe the tube manufacturer's specifications
- **Operating pressure:** max. 6 bar, Please observe the tube manufacturer's specifications
- **Tube outside diameter:** 1/4" | 3/8" | 7/16" | 1/2" | 5/8" | 3/4" | 7/8" | 1 1/8" | 1 3/16" | 1 13/32" | 1 3/7" | 1 1/2"
- **Tube's inside diameter:** 1/8" | 1/4" | 3/8" | 1/2" | 3/4" | 1"
- **Body materials:** 1.4404/PA6 | PA6
- **Conformity:** EAC

Technical data depends on the respective configuration



Product description

Construction



Item	Name	Materials
1	Optical position indicator	PP
2	Actuator	Stainless steel
3	Distance piece with leak detection hole	Stainless steel
4	Union nut	Stainless steel
5	Distance piece with mounting flange including EPDM seal	Stainless steel
6	Compressor	Stainless steel
7a	Valve body	PA6
7b	Valve body	Stainless steel/PA6
8	Locking ring	PA6
9	Tube holder	PA6
10a	Tube carrier	PA6
10b	Tube carrier	Stainless steel
11	CONEXO RFID chip (see "GEMÜ CONEXO", page 12)	

Availability

Mounting flange

Mounting flange	Actuator size		
	0P1	1P1	2P1
0	X	X	X
FT	X	X	-
FB	-	-	X

Valve body

Valve body	Actuator size		
	0P1	1P1	2P1
7P	X	X	X
PA	-	X	-

Tube sizes

				Tube outside diameter									
				AD	1/4"	3/8"	7/16"	1/2"	5/8"	3/4"	7/8"	1 1/8" - 1 3/16"	1 13/32" - 1 1/2"
				inch	0.25	0.375	0.438	0.5	0.625	0.75	0.875	1.13 - 1.18	1.405 - 1.5
AG	Tube inside diameter			mm	6.35	9.53	11.1	12.7	15.8	19.1	22.3	28.58 - 29.97	35.69 - 38.1
	ID	inch	mm	Code	DA	DC	DD	DE	DG	DH	DI	DK	DN
0P1	1/8"	0.125	3.180	2	X	X	-	-	-	-	-	-	-
	1/4"	0.250	6.350	4	-	X	X	X	-	-	-	-	-
1P1	3/8"	0.375	9.530	6	-	-	-	-	X	-	-	-	-
	1/2"	0.500	12.700	8	-	-	-	-	-	X	X	-	-
2P1	3/4"	0.750	19.050	12	-	-	-	-	-	-	-	X	-
	1"	1.000	25.400	16	-	-	-	-	-	-	-	-	X

AG = actuator size

AD = outside diameter

ID = inside diameter

Order data

The order data provide an overview of standard configurations.

Please check the availability before ordering. Other configurations available on request.

Order codes

1 Type	Code
Pinch valve, pneumatically operated, stainless steel piston actuator	Q40

2 Tube inside diameter	Code
3.180 mm (1/8") inside diameter	2
6.350 mm (1/4") inside diameter	4
9.530 mm (3/8") inside diameter	6
12.700 mm (1/2") inside diameter	8
19.050 mm (3/4") inside diameter	12
25.400 mm (1") inside diameter	16

3 Tube outside diameter	Code
6.350 mm (1/4") outside diameter	DA
9.530 mm (3/8") outside diameter	DC
11.110 mm (7/16") outside diameter	DD
12.700 mm (1/2") outside diameter	DE
15.880 mm (5/8") outside diameter	DG
19.100 mm (3/4") outside diameter	DH
22.230 mm (7/8") outside diameter	DI
28.580–29.970 mm (1 1/8–1 3/16") outside diameter	DK
35.690–38.100 mm (1 13/32–1 1/2") outside diameter	DN

4 Tube carrier version	Code
Plastic design, stainless steel tube carrier and PA tube holder	7P
Plastic design, PA tube carrier and PA tube holder	PA

5 Control function	Code
Normally closed (NC)	1
Normally open (NO)	2

6 Actuator version	Code
Actuator size 0P1	0P1
Actuator size 1P1	1P1
Actuator size 2P1	2P1

7 Mounting option	Code
Without mounting flange, with 4 x threaded hole in body	0
With mounting flange below	FB
With mounting flange above	FT

8 CONEXO	Code
Without	
Integrated RFID chip for electronic identification and traceability	C

Order example

Order option	Code	Description
1 Type	Q40	Pinch valve, pneumatically operated, stainless steel piston actuator
2 Tube inside diameter	8	12.700 mm (1/2") inside diameter
3 Tube outside diameter	DH	19.100 mm (3/4") outside diameter
4 Tube carrier version	7P	Plastic design, stainless steel tube carrier and PA tube holder
5 Control function	1	Normally closed (NC)
6 Actuator version	1P1	Actuator size 1P1
7 Mounting option	0	Without mounting flange, with 4 x threaded hole in body
8 CONEXO		Without

Technical data

Medium

Working medium: Please observe the tube manufacturer's specifications

Control medium: Inert gases

Temperature

Media temperature: Please observe the tube manufacturer's specifications

Ambient temperature: Actuator: 32 °F – 140 °F, Tube: Please observe the tube manufacturer's specifications

Control medium temperature: max. 140 °F

Storage temperature: 32 – 140 °F

Pressure

Operating pressure: max. 6 bar
Please observe the tube manufacturer's specifications

Control pressure: Normally closed (NC) 58.0 – 116.0 psi
Normally open (NO) 36.3 – 58.0 psi

Actuator data

Filling volume: Actuator size 0P1 1.53 cu in
Actuator size 1P1 5.13 cu in
Actuator size 2P1 26.67 cu in

Piston diameter: Actuator size 0P1 1.65 in
Actuator size 1P1 2.36 in
Actuator size 2P1 3.94 in

Product compliance

Machinery Directive: 2006/42/EC

Mechanical data

Weight:

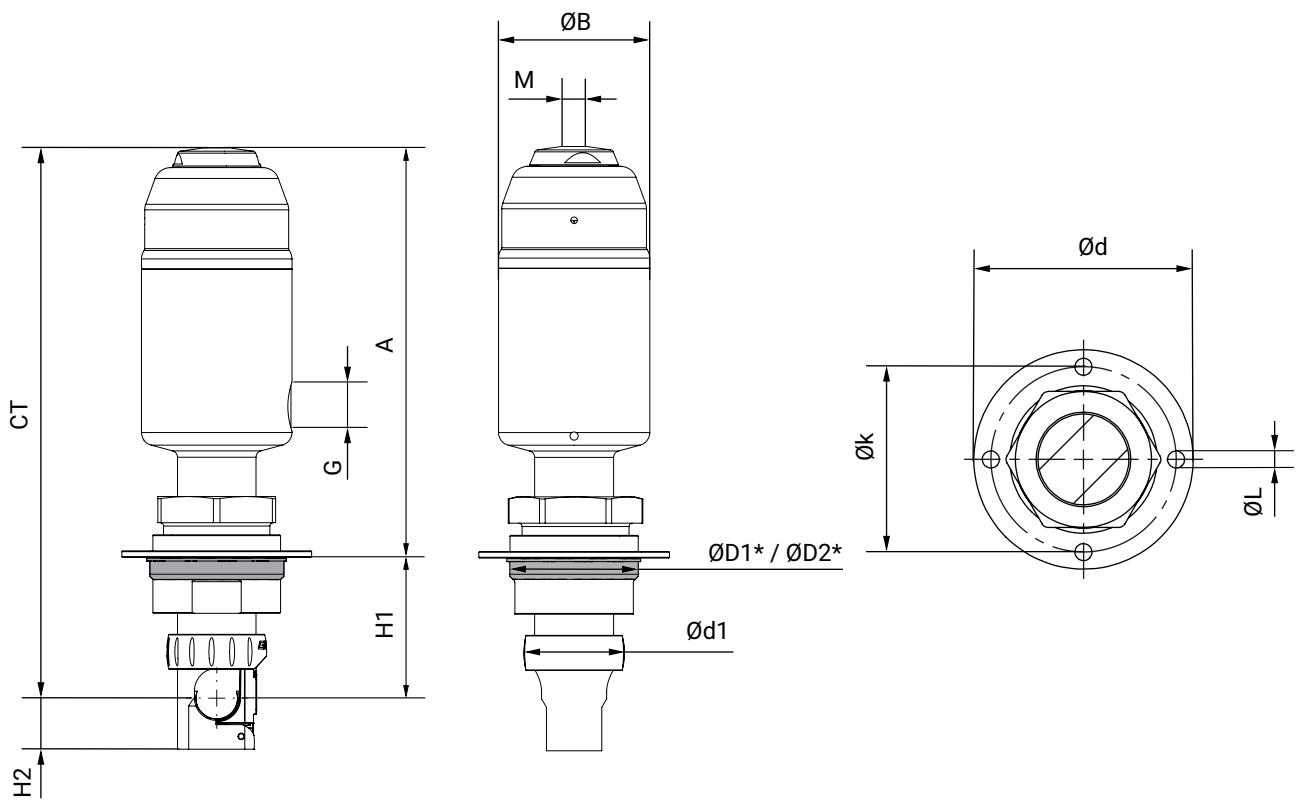
Actuator size	Mounting flange	Tube holder	
		Stainless steel/PA6	PA6
0P1	FT	2.03	-
	0	1.98	-
1P1	FT	3.53	3.17
	0	3.31	2.95
2P1	FB	13.89	-
	0	13.40	-

Weight in lb

Installation position: Optional

Dimensions

Actuator size 0P1

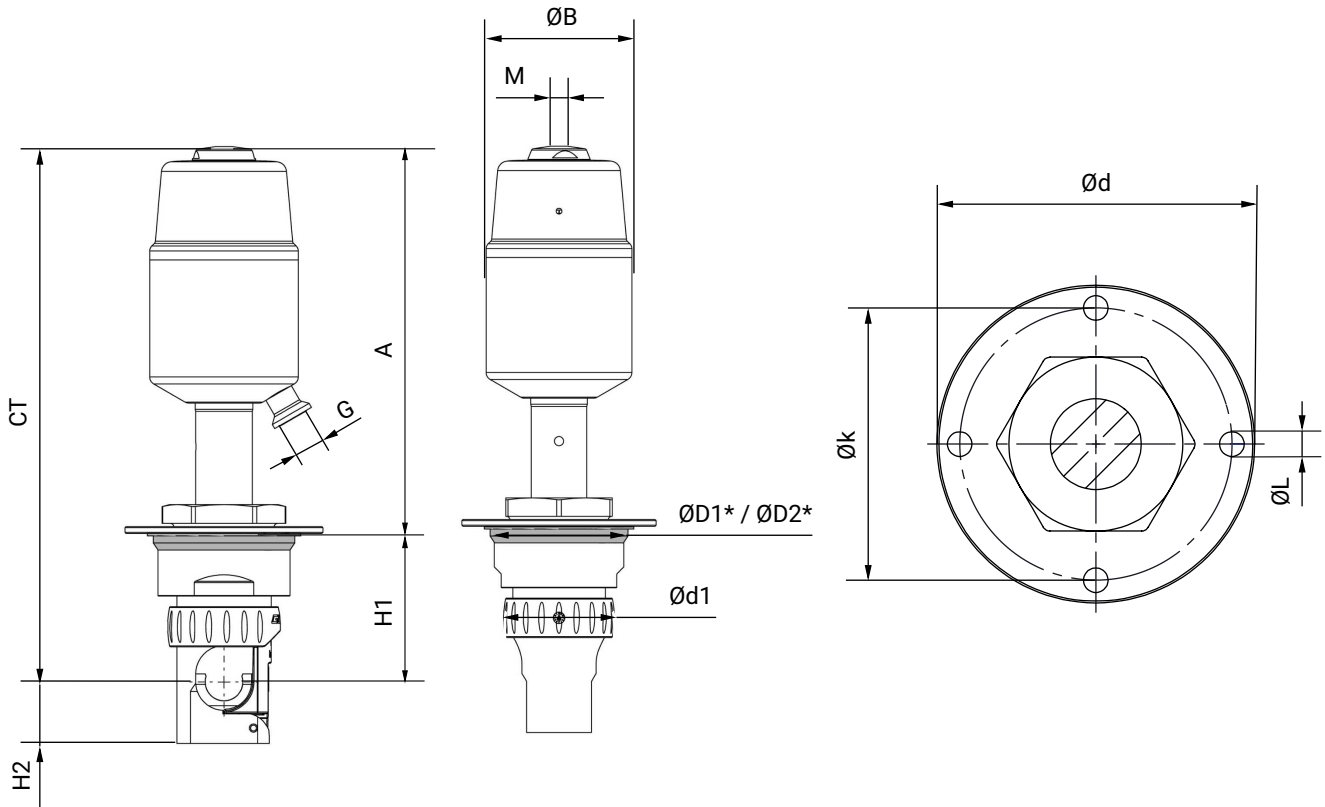


A	$\varnothing B$	CT	$\varnothing D1^*$	$\varnothing D2^*$	$\varnothing d$	$\varnothing d1$	G	H1	H2	$\varnothing k$	$\varnothing L$	M
5.00	1.81	6.69	1.54	1.65	2.28	1.20	G1/8	1.69	0.61	1.93	0.18	M16x1

Dimensions in inch

* D1 = diameter without seal, D2 = diameter with seal

Actuator size 1P1

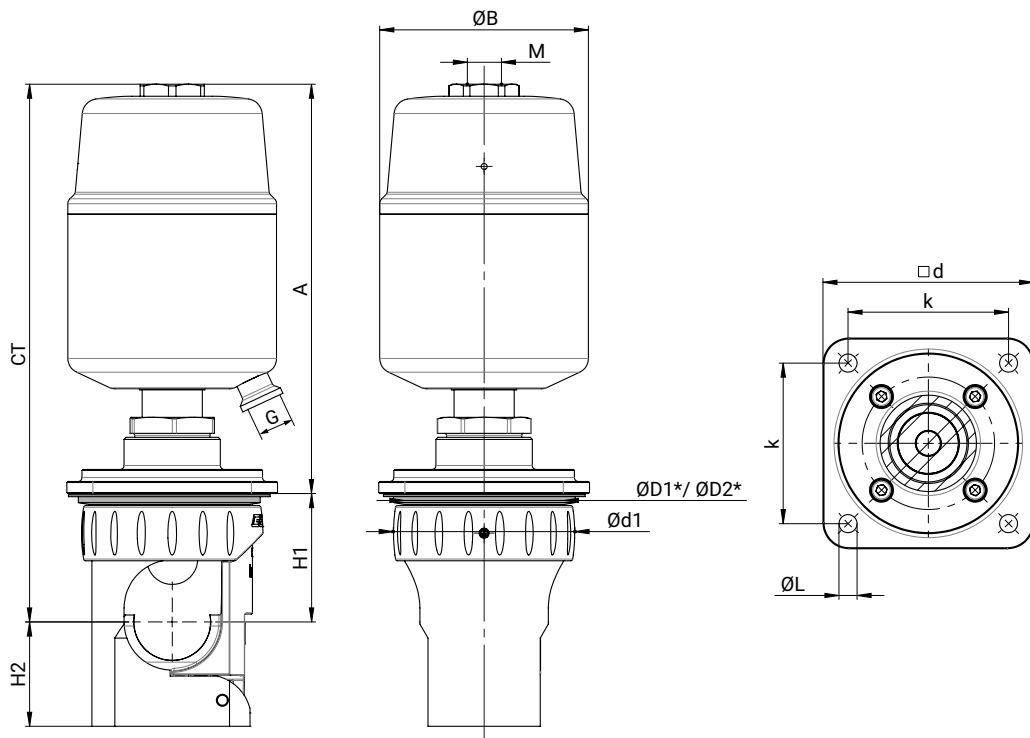


Valve body code	A	ØB	CT	ØD1*	ØD2*	Ød	Ød1	G	H1	H2	Øk	ØL	M
7P	6.46	2.48	8.94	2.20	2.36	3.31	1.88	G1/8	2.48	1.02	2.83	0.26	M16x1
PA	6.46	2.48	8.94	2.20	2.36	3.31	1.88	G1/8	2.48	1.34	2.83	0.26	M16x1

Dimensions in inch

* D1 = diameter without seal, D2 = diameter with seal

Actuator size 2P1

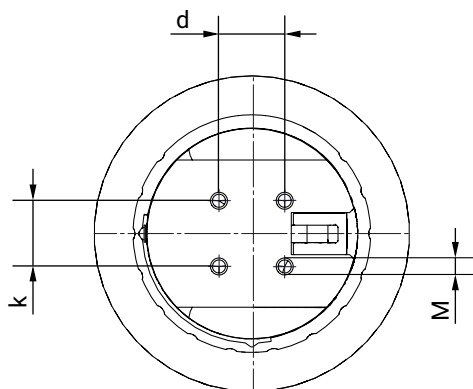


A	Dia. B	CT	Dia. D1*	Dia. D2*	d	Dia. d1	G	H1	H2	k	Dia. L	M
8.11	4.09	10.63	3.15	3.62	4.13	3.56	G1/4	2.52	2.05	3.15	0.35	M22x1.5

Dimensions in inch

* D1 = diameter without seal, D2 = diameter with seal

Valve body, without mounting flange



Actuator size	d	k	M
0P1	0.28	0.28	M2
1P1	0.47	0.47	M4
2P1	0.98	0.98	M6

Dimensions in inch

Accessories

GEMÜ 2023



Pneumatic fitting

We offer various pneumatic fittings under the GEMÜ 2023 type. Various connection sizes are available with female thread, male thread, connector, plug-in nipple or quick connectors.



GEMÜ 4232

Travel sensor for linear actuators

The GEMÜ 4232 travel sensor is intended for the attachment to valves with linear actuators and is used to determine the valve position. It is used as a travel sensor for the GEMÜ 1434 μ Pos, GEMÜ 1435 ePos, GEMÜ 1436 cPos and GEMÜ 1441 cPos-X intelligent positioners, which can be connected using either the open cable ends or an M12 cable connector (depending on the design and/or selection of the positioner).

Add-on components



GEMÜ 1235

Electrical position indicator

The GEMÜ 1235 electrical position indicator is suitable for mounting to pneumatically operated linear actuators. Secure connection to valve spindle means reliable feedback signal. Intelligent microprocessor controlled functions make commissioning and support during operation easier. The current position of the valve is displayed via high visibility LEDs and fed back via electrical signals.



GEMÜ 1236

Electrical position indicator

The GEMÜ 1236 electrical position indicator is suitable for mounting to pneumatically operated linear actuators. Secure connection to valve spindle means reliable feedback signal. Intelligent microprocessor controlled functions make commissioning and support during operation easier. The current position of the valve is displayed via high visibility LEDs and fed back via electrical signals.



GEMÜ 1240

Electrical position indicator

The GEMÜ 1240 electrical position indicator is suitable for mounting to pneumatically operated linear actuators. The position of the valve spindle is reliably detected electronically and fed back via microswitches or proximity switches, using play-free and non-positive mounting. The product has been designed specially for valves with a stroke of 5 to 75 mm.



GEMÜ 1242

Electrical position indicator

The GEMÜ 1242 electrical position indicator is suitable for installation on pneumatically operated linear actuators. The position of the valve spindle is reliably electronically detected and evaluated using play-free and non-positive mounting. Intelligent microprocessor-controlled functions facilitate commissioning and support during operation. The current position of the valve is displayed via high-visibility LEDs and fed back via electrical signals. The GEMÜ 1242 has been specially designed for valves with a stroke of 2 to 46 mm.



GEMÜ 1434 µPos

Intelligent electro-pneumatic positioner

The GEMÜ 1434 µPos digital electro-pneumatic positioner is used to control pneumatically operated process valves with single-acting linear actuators that have small to medium nominal sizes. The solid compact housing has a transparent cover. LEDs for status indication are integrated. Pneumatic and electrical connections arranged so as to save space and enable easy access.

For valves with larger nominal sizes, or if better flow capability is required, the GEMÜ 1436 eco cPos product type with comparable functions can be relied on.



GEMÜ 1435 ePos

Intelligent electro-pneumatic positioner

The GEMÜ 1435 ePos digital electro-pneumatic positioner is used to control pneumatically operated process valves with single acting or double acting linear or quarter turn actuators, and detects the position of the valve using an external travel sensor. It has a robust aluminium housing with protected operating keys and an LCD display which allows the product to be individually adapted to the control task. The travel times can be set using integrated throttles. Connection and mounting to NAMUR is also possible. Therefore, the GEMÜ 1435 ePos is an optimal solution for control tasks with high requirements, especially in applications with harsh environmental conditions.



GEMÜ 1436 cPos

Intelligent positioner and integrated process controller

The GEMÜ 1436 cPos digital electro-pneumatic positioner is used with an optional integrated process controller to control pneumatically operated process valves with single acting or double acting linear or quarter turn actuators. When using the optional process controller, the signals from the process sensor (e.g. flow, level, pressure, temperature) are detected and the media adjusted according to the specified set value. The positioner has a robust housing with protected operating buttons and an easy-to-read, backlit LCD display.



GEMÜ 1441 cPos-X

Intelligent electro-pneumatic positioner

The GEMÜ 1441 cPos-X is an intelligent, digital electro-pneumatic positioner in 2-wire technology used to control pneumatically operated process valves. It can be combined with single acting or double acting linear actuators or quarter turn actuators. This means that it can be used, among other things, for diaphragm, globe and diaphragm globe valves as well as for ball valves and butterfly valves, for instance. The positioner has a robust housing with a covered LCD display for status information. The positioner can be operated remotely using a mobile device in order to configure settings and to view detailed information.



GEMÜ 4240

Combi switchbox

The GEMÜ 4240 combi switchbox is suitable for mounting to pneumatically operated linear actuators. The position of the valve spindle is reliably detected electronically and fed back via microswitches or proximity switches, using play-free and non-positive mounting. Integrated pilot valves enable direct activation of the process valve connected to them. The product has been designed specially for valves with a stroke of 5 to 75 mm.



GEMÜ 4242

Combi switchbox with integrated pilot valve

The GEMÜ 4242 combi switchbox is suitable for installation on pneumatically operated linear actuators. The position of the valve spindle is reliably electronically detected and evaluated using play-free and non-positive mounting. Integrated pilot valves enable direct activation of the process valve connected to them. Intelligent microprocessor-controlled functions facilitate commissioning and support during operation. The current position of the valve is displayed via high-visibility LEDs and fed back via electrical signals.



GEMÜ 334

Electrically operated pilot solenoid valve

The GEMÜ 334 directly controlled 3/2-way pilot solenoid valve is designed for direct mounting to pneumatically operated valves (inlet and outlet at an angle of 90°). A lockable manual override is integrated as standard. The body is made of plastic. The coil is plastic encapsulated.



GEMÜ 0324

Electrically operated pilot solenoid valve

The GEMÜ 0324 directly controlled 3/2-way pilot solenoid valve is designed for direct mounting to pneumatically operated valves. The body is made of plastic. The coil is plastic encapsulated.

GEMÜ CONEXO

The interaction of valve components that are equipped with RFID chips and an associated IT infrastructure actively increase process reliability.



Thanks to serialization, every valve and every relevant valve component such as the body, actuator or diaphragm, and even automation components, can be clearly traced and read using the CONEXO pen RFID reader. The CONEXO app, which can be installed on mobile devices, not only facilitates and improves the "installation qualification" process, but also makes the maintenance process much more transparent and easier to document. The app actively guides the maintenance technician through the maintenance schedule and directly provides him with all the information assigned to the valve, such as test reports, testing documentation and maintenance histories. The CONEXO portal acts as a central element, helping to collect, manage and process all data.

For further information on GEMÜ CONEXO please visit:

www.gemu-group.com/conexo

Ordering

GEMÜ Conexo must be ordered separately with the ordering option "CONEXO".



GEMÜ Gebr. Müller Apparatebau GmbH & Co. KG
Fritz-Müller-Straße 6-8, 74653 Ingelfingen-Criesbach, Germany
Tel. +49 (0)7940 123-0 · info@gemue.de
www.gemu-group.com