



## Plastic ball valve GEMÜ S717

### Areas of application

- Industrial water treatment

### Features

- Long life
- Reliable
- Simple to install

## Description

Ball valve made of thermoplastic material.  
Ergonomic grip with non-slip rubber coating  
for safe operation.

## Technical specifications

- Nominal sizes:  
DN 10 to 100
- Connection:  
Solvent cement/welded sockets DIN,  
union ends with insert
- Body material:  
PVC-U, PP-H
- Seal material:  
EPDM, FPM
- Seat material:  
PE, PTFE
- Operating pressure:  
max. 10 bar (PP-H),  
max. 16 bar (PVC-U)
- Media temperature:  
0 to 60 °C

## Applications

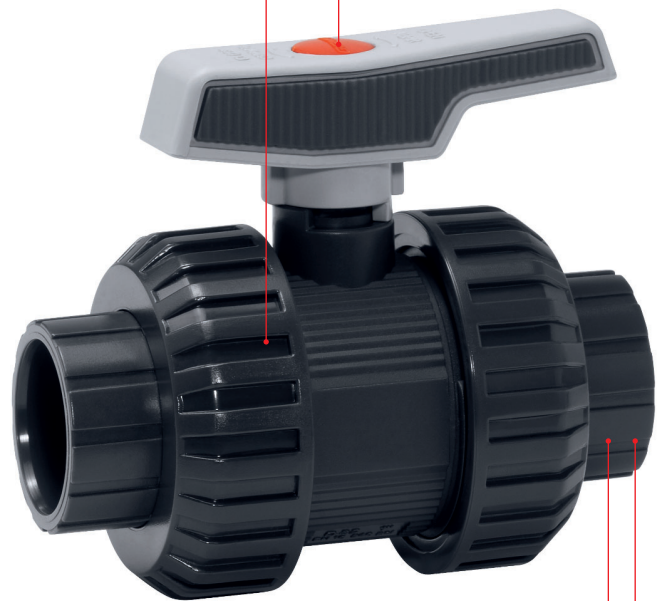
- Swimming pool processes
- Irrigation
- Water treatment
- Distribution of liquids
- Fish farming
- Agriculture

### Flexible

Max. operating pressure  
16 bar (depending on  
version)

### Practical

The grip is also used as a  
regulating key for adapting the  
seal carrier or ball torque



### Variable

Choice of various  
connection options

### Wide range of nominal sizes

Nominal size DN 10 to 100

